

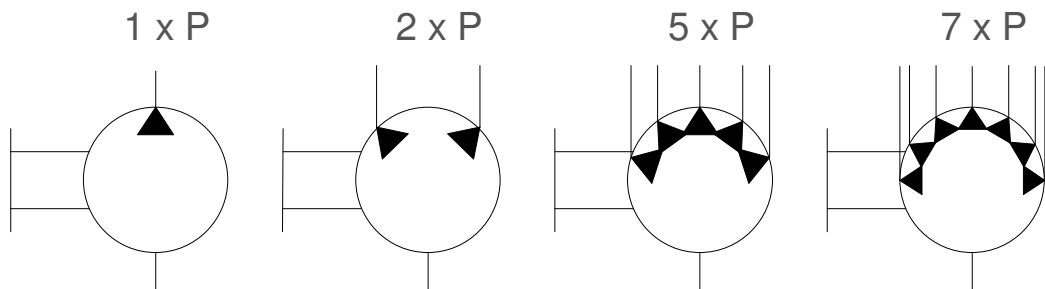
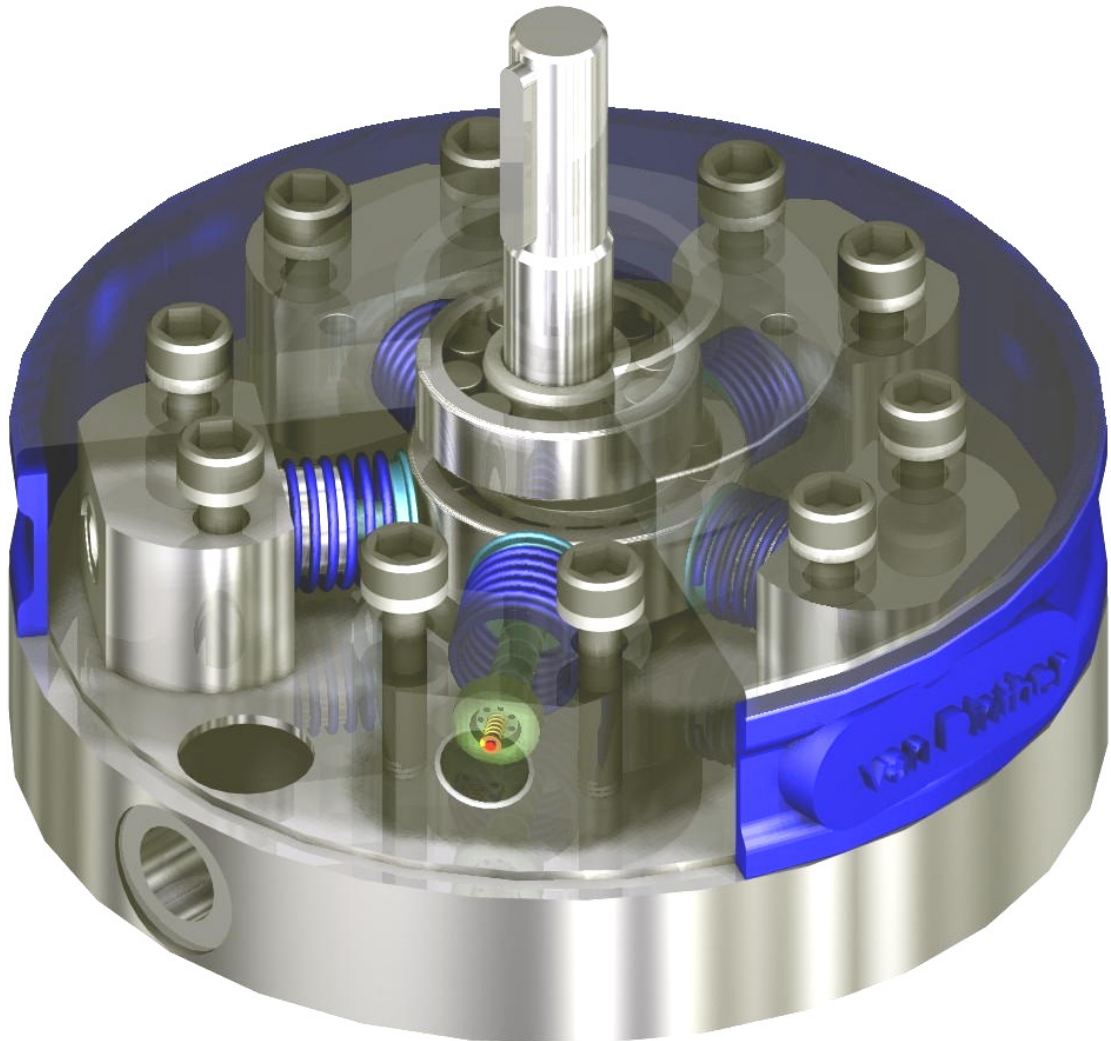
Radial piston pump



0.5 - 19.8 cm³/rev

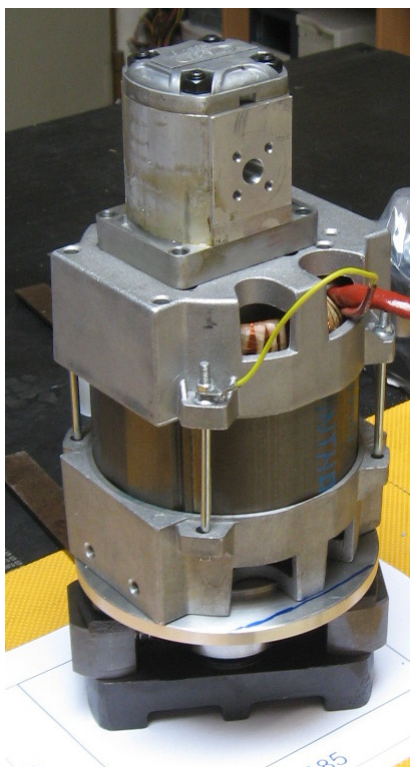
p_{peak} 550 bar

E-mail: hydraulik@van-dinter.de
Telefon : +49 (0) 234 68738 - 0
Telefax : +49 (0) 234 68738 - 27



Pump1 3D Time Remaining (min) 0 : 14

	Pr. (bar)	Flow (lpm)	Speed (rpm)	Effic.
Oil temp.	0	4.7000	1474	99.95
40 °C	100	4.6191	1471	98.43
	200	4.4957	1463	96.33
Rated rpm	250	4.5511	1463	97.51
1450 rpm	300			
	350			



Index of contents



E-mail: hydraulik@van-dintner.de
Telefon : +49 (0) 234 68738 - 0
Telefax : +49 (0) 234 68738 - 27

Radial piston pump 1-row	4
Selection chart:	5
closed type construction, 1 delivery rate, 2 elements	6
opend type construction, 1 delivery rate, 2 elements	7
closed type construction, 1 delivery rate, 3 elements	8
opend type construction, 1 delivery rate, 3 elements	9
closed type construction, 1 delivery rate, 5 elements	10
closed type construction, 5 delivery rates, 5 elements	11
opend type construction, 1 delivery rate, 5 elements	12
closed type construction, 2 delivery rates, 2x3 elements	13
opend type construction, 2 delivery rates, 2x3 elements	14
closed type construction, 1 delivery rate, 7 elements	15
closed type construction, 7 delivery rates, 7 elements	16
opend type construction, 1 delivery rate, 7 elements	17
Radial piston pump 2-rows	18
closed type construction, 1 delivery rate, 10 elements	18
opend type construction 1 delivery rate, 10 elements	19
closed type construction, 2 delivery rates, 10 elements	20
opend type construction, 2 delivery rates, 10 elements	21
closed type construction, 1 delivery rate, 14 elements	22
closed type construction, 2 delivery rates, 10 elements	24
opend type construction, 2 delivery rates, 14 elements	25
Intermediate case	26
Ordering code	27

Radial piston pump 1-row

Closed and opened type construction
for oil-immersed and over-oil applications
2,3,5,6,7,10,14 piston construction
0.5 bis 19.8 cm³ / rev $p_{peakj}=550$ bar



E-mail: hydraulik@van-dinther.de
Telefon : +49 (0) 234 68738 - 0
Telefax : +49 (0) 234 68738 - 27

Our multifunctional piston pumps: available in opened type construction, for assembly under the oil level, or in closed type construction, for external or internal assembly. The pumps are valve controlled and depend of the direction of the rotation. Their delivery rate volumes are proportional to the revolution speed. The pumps are available in flange assembly to be mounted on pump carriers.

The pumps are the ideal possibility, to implement low-loss small delivery rates with high pressures.

They are extremely flexible to configure with the 2 different shaft hubs and 6 piston diameters. Altogether there are 60 different construction possible.

Version *R-ET-DA is with SAE-A drive-through.



Generically service conditions Piston pumps

type	Radial piston pump, valve controlled
number of pistons	2, 3, 5, 6, 7, 10, 14
mounting	flange mounting
Intermediate case	SAE-A or DA, mounting of one 1R-pumpt, others on enquiry
rotation	clockwise or non-clockwise, the delivery rate direction is dependent on the rotation
suction cave	look at the data sheet
pressure cave	look at the data sheet
revolution speed	300 - 2000 rev/min, others in enquiry
medium	HLP oil DIN 51524 part 1+2
range of viscosity	10 - 300 cSt
optimal viscosity	16 - 32 cSt
range of temperature	-10 bis + 80°C (adhere to the range of the viscosity!)
oil pureness	ISO Code 16/13
weight	4,6 to 22,1 kg, exact details on the data sheet
operating pressure	200 - 550 bar, depends on the number of the pistons (see selection chart)

Radial piston pump 1+2-rows

closed / open type construction *R-ET /*R-SM



E-mail: hydraulik@van-dinter.de
 Telefon : +49 (0) 234 68738 - 0
 Telefax : +49 (0) 234 68738 - 27

Selection chart:

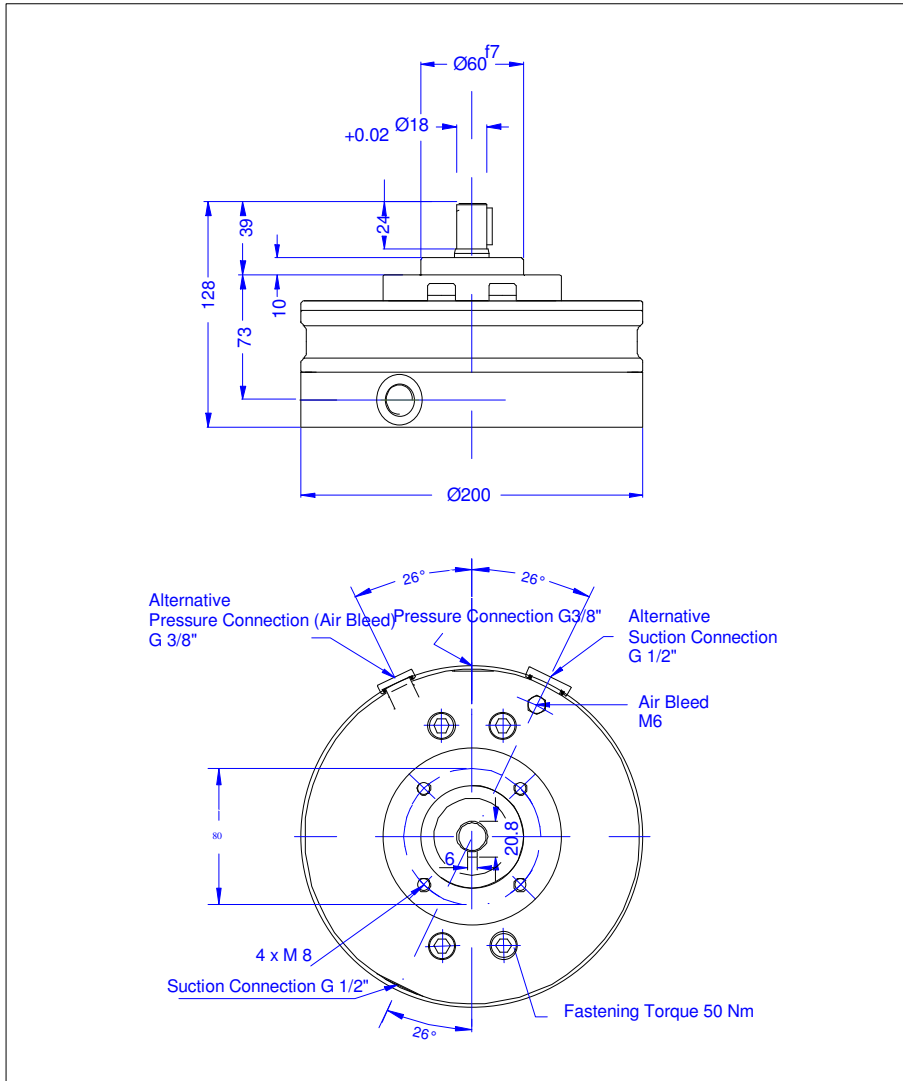
volume + number of elements	delivery volume V _g [cm ³ /rev]	nominal delivery rate at n= 1450 rev/min [l/min]	delivery rate at p _{peak} [l/min]	max. operating pressure p _{peak} [bar]	dimensions ET / SM version see page
A2	0,8	1,16	1	550	6 / 7
A2-S	0,5	0,72	0,62	550	6 / 7
A3	1,21	1,75	1,5	550	8 / 9 / 13 / 14
A3-S	0,76	1,1	0,93	550	8 / 9 / 13 / 14
A5	2,01	2,91	2,6	550	10 / 12 / 20 / 21
A5-S	1,26	1,83	1,55	550	10 / 12 / 20 / 21
A7	2,81	4,07	3,7	550	15 / 17 / 23 / 24
A7-S	1,76	2,56	3,22	550	15 / 17 / 23 / 24
A10	4,02	5,8	5,2	550	18 / 19
A14	5,62	8,2	7,4	550	22 / 23
B2	1,25	1,81	1,67	450	6 / 7
B2-S	0,78	1,13	1,04	450	6 / 7
B3	1,88	2,22	2,5	450	8 / 9 / 13 / 14
B3-S	1,18	1,71	1,56	450	8 / 9 / 13 / 14
B5	3,14	4,55	4,2	450	10 / 12 / 20 / 21
B5-S	1,97	2,86	2,6	450	10 / 12 / 20 / 21
B7	4,4	6,38	5,8	450	15 / 17 / 23 / 24
B7-S	2,76	4	3,64	450	15 / 17 / 23 / 24
B10	6,28	9,2	8,4	450	18 / 19
B14	8,8	12,8	11,6	450	22 / 23
C2	1,25	1,81	1,67	450	6 / 7
C2-S	1,13	1,64	1,54	350	6 / 7
C3	2,71	3,93	3,7	350	8 / 9 / 13 / 14
C3-S	1,7	2,47	2,31	350	8 / 9 / 13 / 14
C5	4,52	6,55	6,2	350	10 / 12 / 20 / 21
C5-S	2,83	4,1	3,85	350	10 / 12 / 20 / 21
C7	6,33	9,18	8,6	350	15 / 17 / 23 / 24
C7-S	3,96	5,74	5,39	350	15 / 17 / 23 / 24
C10	9,04	13,2	12,4	350	18 / 19
C14	12,66	18,4	17,2	350	18 / 19
D2-S	1,33	1,93	1,8	300	6 / 7
D3	3,19	4,63	4,3	300	8 / 9 / 13 / 14
D3-S	2	2,9	2,7	300	8 / 9 / 13 / 14
D5	5,31	7,7	7,2	300	10 / 12 / 20 / 21
D5-S	3,33	4,83	4,5	300	10 / 12 / 20 / 21
D7	7,43	10,77	10	300	15 / 17 / 23 / 24
D7-S	4,65	6,74	6,3	300	15 / 17 / 23 / 24
D10	10,62	15,4	14,4	300	18 / 19
D14	14,86	21,6	10	300	18 / 19
E2	2,46	3,55	3,33	250	6 / 7
E3	3,69	5,35	5	250	8 / 9 / 13 / 14
E3-S	2,29	3,32	3,12	250	8 / 9 / 13 / 14
E5	6,16	8,93	8,4	250	10 / 12 / 20 / 21
E5-S	3,82	5,54	5,2	250	10 / 12 / 20 / 21
E7	8,62	12,5	11,7	250	15 / 17 / 23 / 24
E7-S	5,34	7,74	7,28	250	15 / 17 / 23 / 24
E10	12,32	17,8	16,8	250	18 / 19
E14	17,24	25	23,4	250	22 / 23
F2	2,83	4,1	3,87	200	6 / 7
F3	4,24	6,15	5,8	200	8 / 9 / 13 / 14
F3-S	2,63	3,81	3,63	200	8 / 9 / 13 / 14
F5	7,07	10,25	9,7	200	10 / 12 / 20 / 21
F5-S	4,38	6,35	6,05	200	10 / 12 / 20 / 21
F7	9,9	14,36	13,6	200	15 / 17 / 23 / 24
F7-S	6,14	8,9	8,47	200	15 / 17 / 23 / 24
F10	14,14	20,6	19,4	200	18 / 19
F14	19,8	28,7	27,2	200	22 / 23

Radial piston pump 1-row

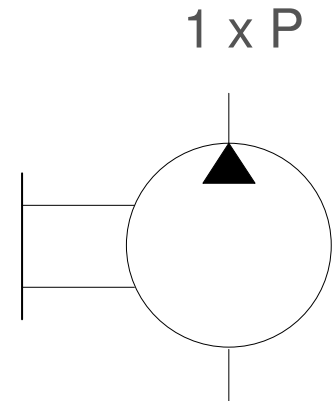
closed type construction, 1 delivery rate, 2 elements

dimensions + pressure ranges 1R-ET *2 1-delivery rate

Dimension:



E-mail: hydraulik@van-dinker.de
 Telefon : +49 (0) 234 68738 - 0
 Telefax : +49 (0) 234 68738 - 27



1R ET ...
 pump closed
 1 delivery rate

options:

Vg / P => selection chart

option drive-through
 DA SAE A mounting flange
 DR *R mounting flange

seals materials
 N NBR standard
 V viton on enquiry

weight: 10,9 Kg

volume + number of elements	delivery volume Vg [cm ³ /rev]	nominal delivery rate at n = 1450 rev/min [l/min]	delivery rate at p _{peak} [l/min]	max. operating pressure p _{peak} [bar]
A2	0,8	1,16	1	550
A2-S	0,5	0,72	0,62	550
B2	1,25	1,81	1,67	450
B2-S	0,78	1,13	1,04	450
C2	1,81	2,62	2,47	350
C2-S	1,13	1,64	1,54	350
D2	2,13	3,09	2,87	300
D2-S	1,33	1,93	1,8	300
E2	2,46	3,55	3,33	250
E2-S	1,53	2,22	2,08	250
F2	2,83	4,1	3,87	200
F2-S	1,76	2,55	2,42	200

Radial piston pump 1-row

opened type construction, 1 delivery rate, 2 elements

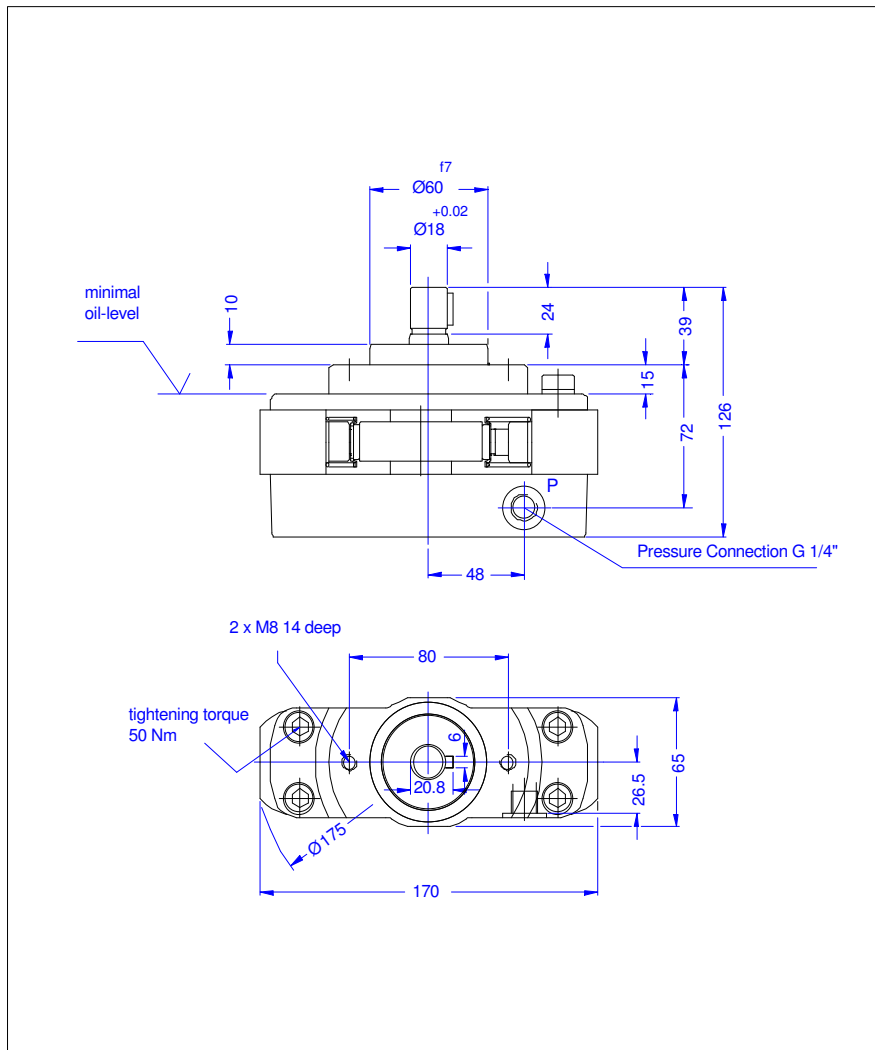
dimensions + pressure ranges 1R-SM *2

1-delivery rate

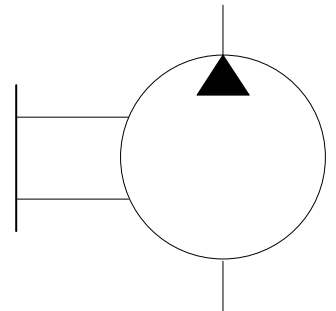
Dimensions:



E-mail: hydraulik@van-dinther.de
 Telefon : +49 (0) 234 68738 - 0
 Telefax : +49 (0) 234 68738 - 27



1 x P



1R ET ...
 pump opened
 1 delivery rate

options:

Vg / P => selection chart

seals materials
 N NBR standard
 V viton on enquiry

weight: 4,6 Kg

volume + number of elements	delivery volume Vg [cm ³ /rev]	nominal delivery rate at n = 1450 rev/min [l/min]	delivery rate at P _{peak} [l/min]	max. operating pressure P _{peak} [bar]
A2	0,8	1,16	1	550
A2-S	0,5	0,72	0,62	550
B2	1,25	1,81	1,67	450
B2-S	0,78	1,13	1,04	450
C2	1,81	2,62	2,47	350
C2-S	1,13	1,64	1,54	350
D2	2,13	3,09	2,87	300
D2-S	1,33	1,93	1,8	300
E2	2,46	3,55	3,33	250
E2-S	1,53	2,22	2,08	250
F2	2,83	4,1	3,87	200
F2-S	1,76	2,55	2,42	200

Radial piston pump 1-row

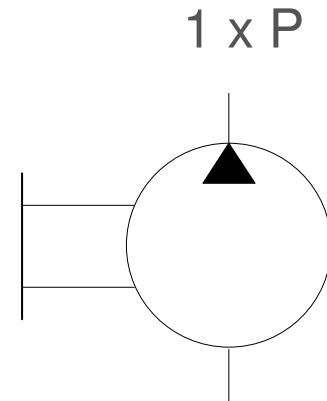
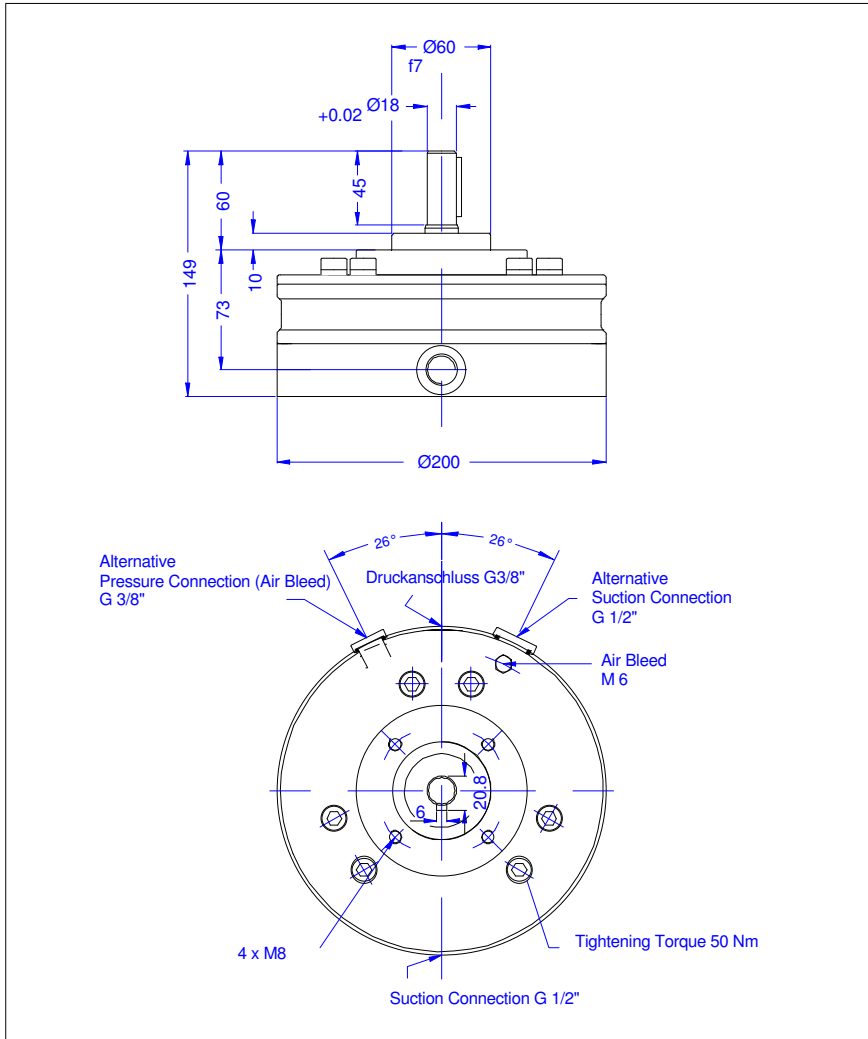
closed type construction, 1 delivery rate, 3 elements

dimensions + pressure ranges 1R-ET *3
1-delivery rate

Dimensions:



E-mail: hydraulik@van-dinter.de
Telefon : +49 (0) 234 68738 - 0
Telefax : +49 (0) 234 68738 - 27



1R ET ...
1 pump closed
1 delivery rate

options:

Vg / P => selection chart

option drive-through
DA SAE A mounting flange
DR *R mounting flange

seals materials
N NBR standard
V viton on equiry

weight: 11,5 Kg

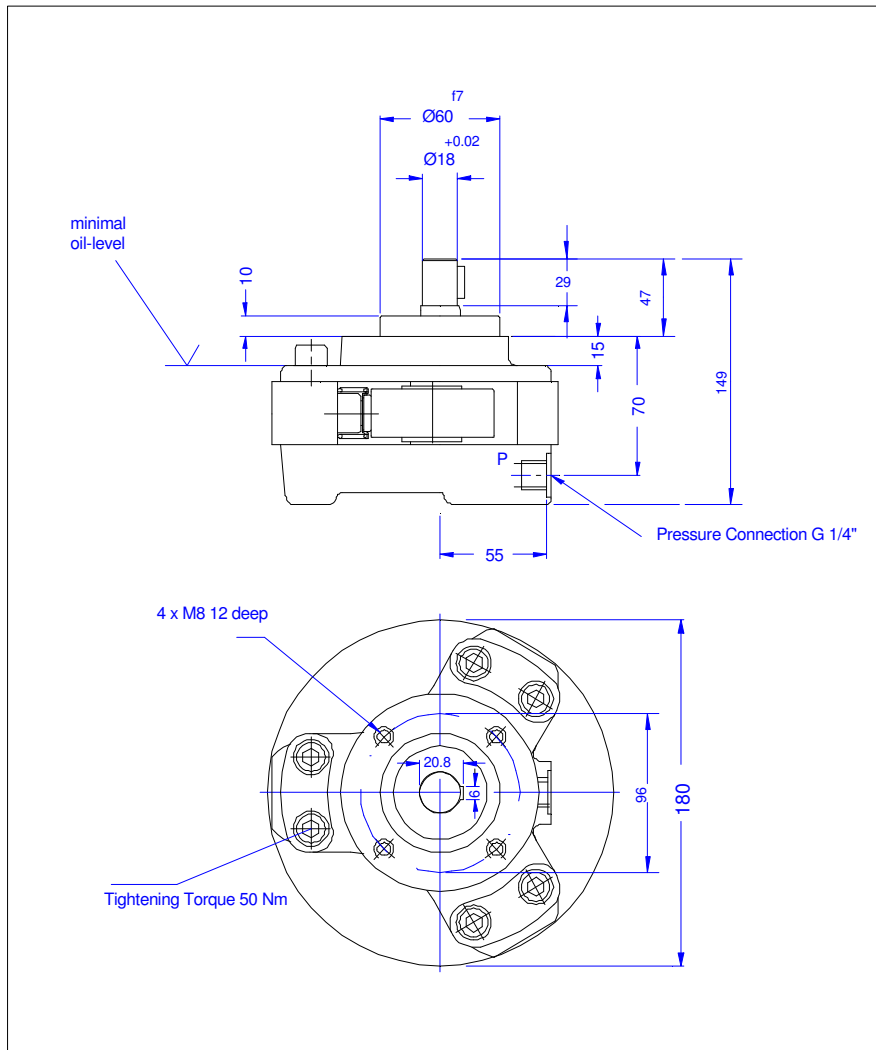
volume + number of elements	delivery volume Vg [cm ³ /rev]	nominal delivery rate at n = 1450 rev/min [l/min]	delivery rate at p _{peak} [l/min]	max. operating pressure p _{peak} [bar]
A3	1,21	1,75	1,5	550
A3-S	0,76	1,1	0,93	550
B3	1,88	2,73	2,5	450
B3-S	1,18	1,71	1,56	450
C3	2,71	3,93	3,7	350
C3-S	1,7	2,47	2,31	350
D3	3,19	4,63	4,3	300
D3-S	2	2,9	2,7	300
E3	3,69	5,35	5	250
E3-S	2,29	3,32	3,12	250
F3	4,24	6,15	5,8	200
F3-S	2,63	3,81	3,63	200

Radial piston pump 1-row

opened type construction, 1 delivery rate, 3 elements

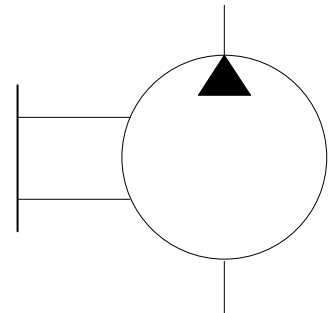
dimensions + pressure ranges 1R-SM *3
1-delivery rate

Dimensions:



E-mail: hydraulik@van-dinter.de
 Telefon : +49 (0) 234 68738 - 0
 Telefax : +49 (0) 234 68738 - 27

1 x P



1R SM ...
pump opened
1-delivery rate

options:

Vg / P => selection chart

seals material
N NBR standard
V viton on enquiry

weight: 5,7 Kg

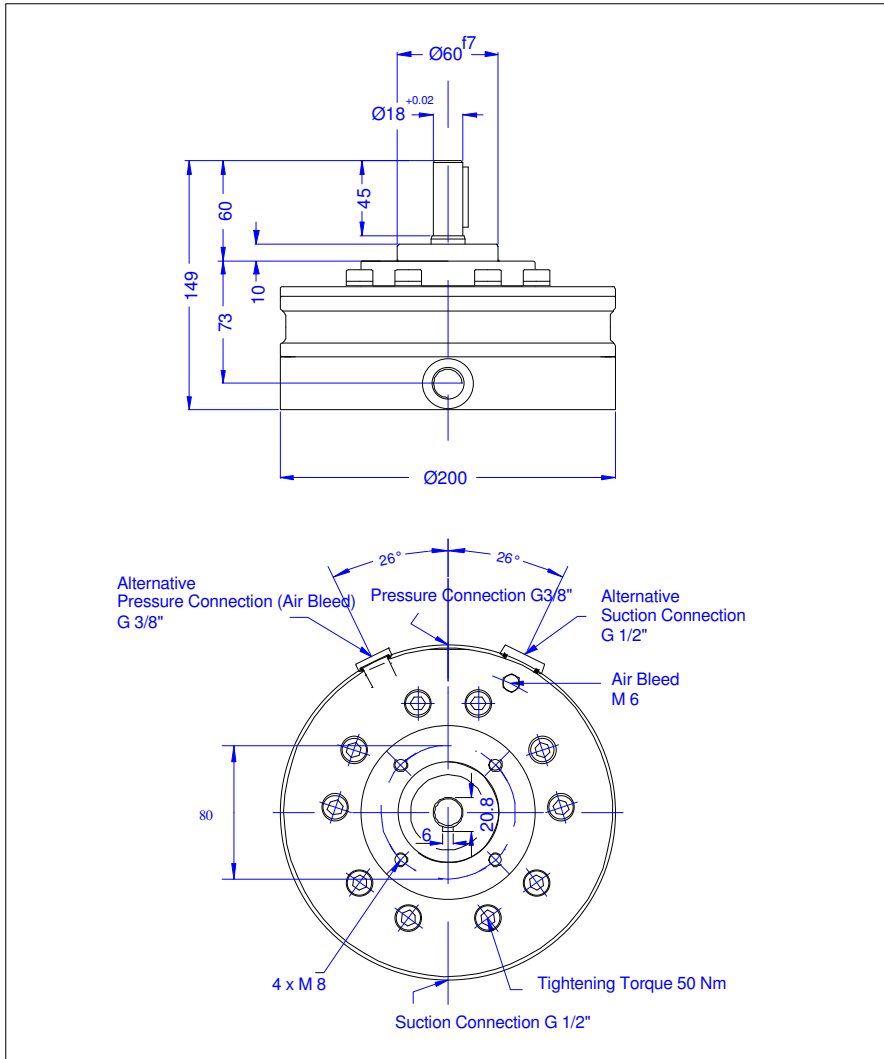
volume + number of elements	delivery volume Vg [cm ³ /rev]	nominal delivery rate n = 1450 rev/min [l/min]	delivery rate at p _{peak} [l/min]	max. operating pressure p _{peak} [bar]
A3	1,21	1,75	1,5	550
A3-S	0,76	1,1	0,93	550
B3	1,88	2,73	2,5	450
B3-S	1,18	1,71	1,56	450
C3	2,71	3,93	3,7	350
C3-S	1,7	2,47	2,31	350
D3	3,19	4,63	4,3	300
D3-S	2	2,9	2,7	300
E3	3,69	5,35	5	250
E3-S	2,29	3,32	3,12	250
F3	4,24	6,15	5,8	200
F3-S	2,63	3,81	3,63	200

Radial piston pump 1-row

closed type construction, 1 delivery rate, 5 elements

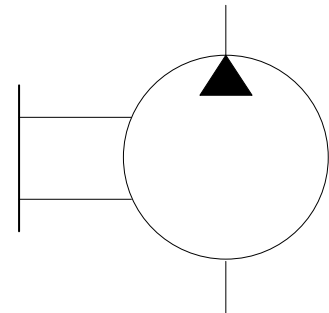
dimensions + pressure ranges 1R-ET *5 1-delivery rate

Dimensions:



E-mail: hydraulik@van-dinter.de
 Telefon : +49 (0) 234 68738 - 0
 Telefax : +49 (0) 234 68738 - 27

1 x P



1R ET ...
 pump closed
 1 delivery rate

options:

Vg / P => selection chart

option drive-through
 DA SAE A mounting flange
 DR *R mounting flange

seals material
 N NBR standard
 V viton on enquiry

weight: 12,9 Kg

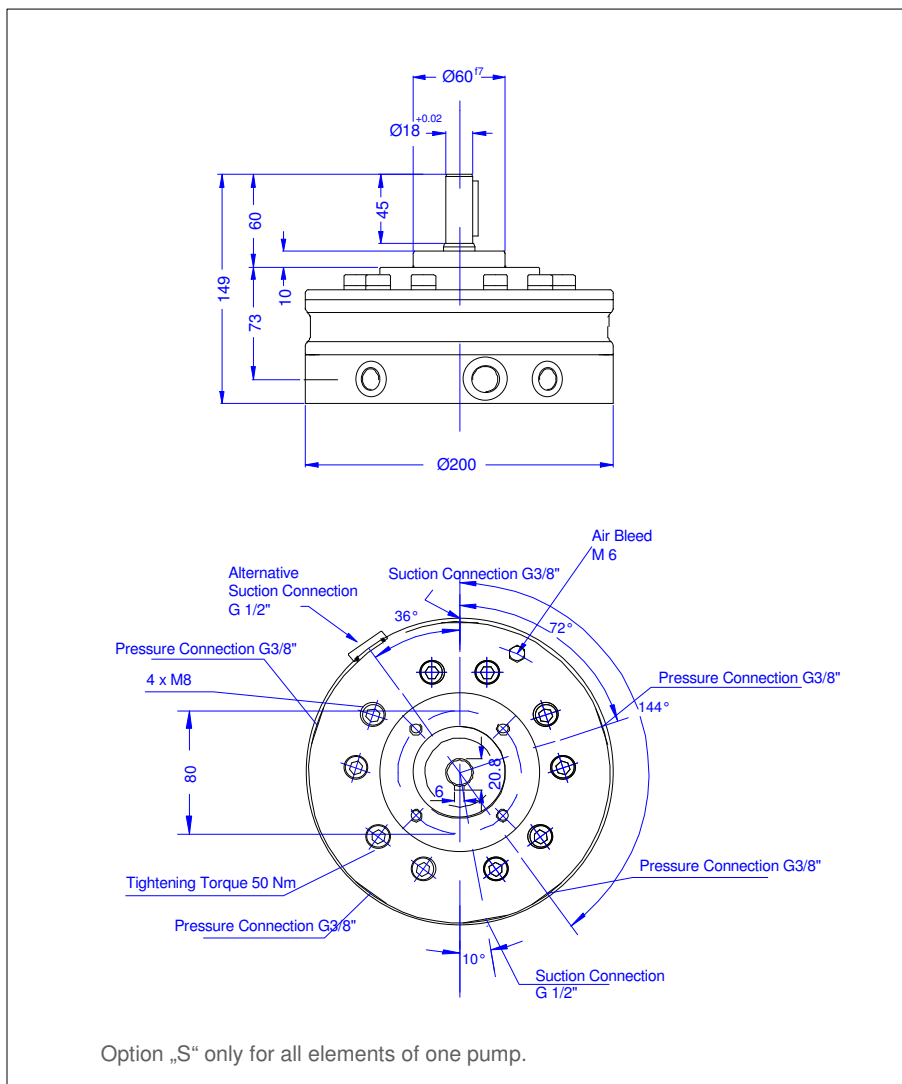
volume + number of elements	delivery volume Vg [cm ³ /rev]	nominal delivery rate at n = 1450 rev/min [l/min]	delivery rate at p _{peak} [l/min]	max. operating pressure p _{peak} [bar]
A5	2,01	2,91	2,6	550
A5-S	1,26	1,83	1,55	550
B5	3,14	4,55	4,2	450
B5-S	1,97	2,86	2,6	450
C5	4,52	6,55	6,2	350
C5-S	2,83	4,1	3,85	350
D5	5,31	7,7	7,2	300
D5-S	3,33	4,83	4,5	300
E5	6,16	8,93	8,4	250
E5-S	3,82	5,54	5,2	250
F5	7,07	10,25	9,7	200
F5-S	4,38	6,35	6,05	200

Radial piston pump 1-row

closed type construction, 5 delivery rates, 5 elements

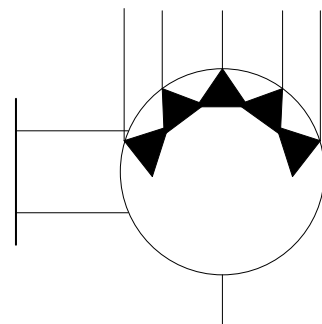
dimensions + pressure ranges 5R-ET *5 5-delivery rates

Dimensions:



E-mail: hydraulik@van-dinker.de
 Telefon : +49 (0) 234 68738 - 0
 Telefax : +49 (0) 234 68738 - 27

5 x P



5R ET ...
 pump closed
 5 delivery rates

options:
 Vg / P => selection chart

option drive-through
 DA SAE A mounting flange
 DR *R mounting flange

seals material
 N NBR standard
 V viton on enquiry

weight: 12,9 Kg

volume + number of elements	delivery volume Vg [cm ³ /rev]	nominal delivery rate at n = 1450 rev/min [l/min]	delivery rate at p _{peak} [l/min]	max. operating pressure p _{peak} [bar]
A1	0,4	0,58	0,5	550
A1-S	0,25	0,36	0,31	550
B1	63	0,91	0,84	450
B1-S	0,39	0,56	0,52	450
C1	0,91	1,31	1,24	350
C1-S	0,56	0,82	0,77	350
D1	1,07	1,55	1,44	300
D1-S	0,67	0,97	0,9	300
E1	1,23	1,78	1,67	250
E1-S	0,77	1,11	1,04	250
F1	1,41	2,1	1,94	200
F1-S	0,88	1,28	1,21	200

Radial piston pump 1-row

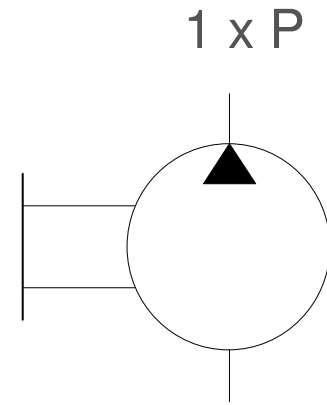
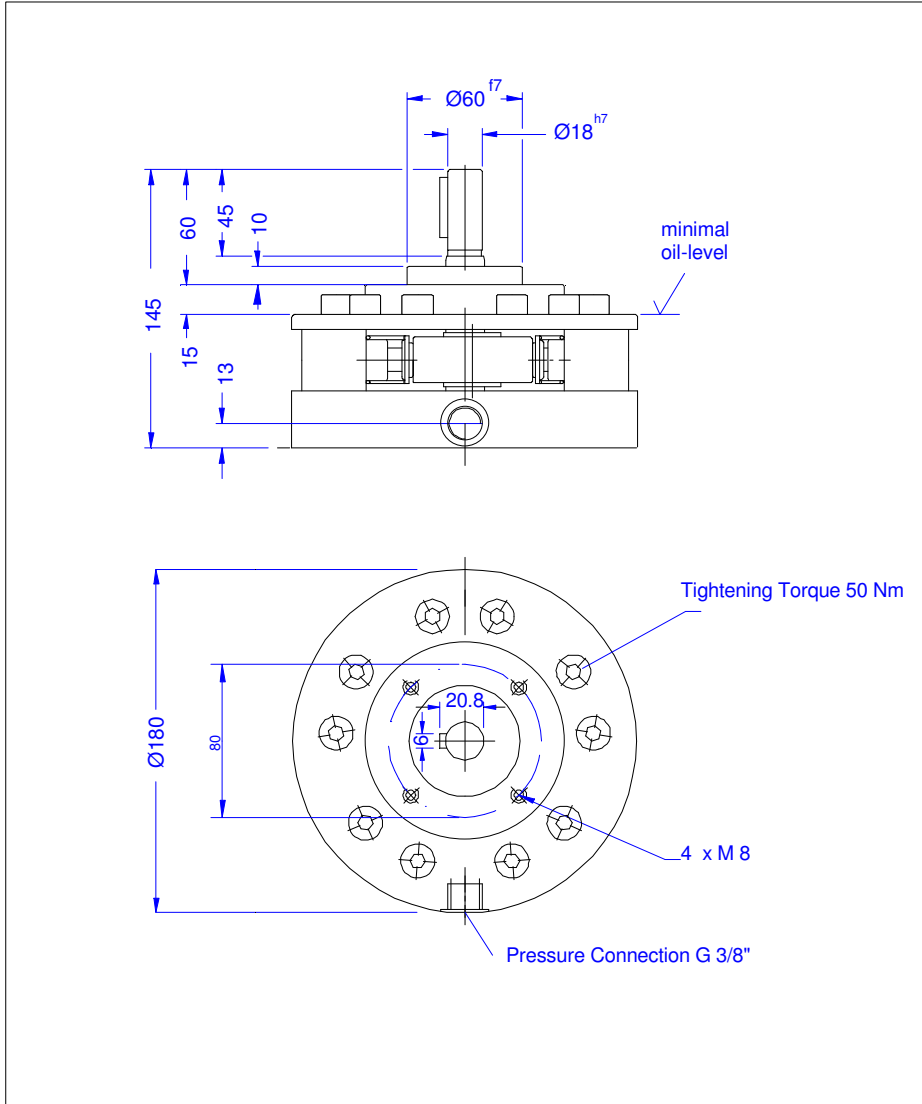
opened type construction, 1 delivery rate, 5 elements

dimensions + pressure ranges 1R-SM *5 1-delivery rate

Dimension:



E-mail: hydraulik@van-dinker.de
 Telefon : +49 (0) 234 68738 - 0
 Telefax : +49 (0) 234 68738 - 27



1R SM ...
 pump opened
 1 delivery rate

options:

Vg / P => selection charts

option drive-through
 DA SAE A mounting flange
 DR *R mounting flange

seals material
 N NBR standard
 V viton on enquiry

weight: 10,7 Kg

volume + number of elements	delivery volume Vg [cm ³ /rev]	nominal delivery rate at n = 1450 rev/min [l/min]	delivery rate at p _{peak} [l/min]	max. operating pressure p _{peak} [bar]
A5	2,01	2,91	2,6	550
A5-S	1,26	1,83	1,55	550
B5	3,14	4,55	4,2	450
B5-S	1,97	2,86	2,6	450
C5	4,52	6,55	6,2	350
C5-S	2,83	4,1	3,85	350
D5	5,31	7,7	7,2	300
D5-S	3,33	4,83	4,5	300
E5	6,16	8,93	8,4	250
E5-S	3,82	5,54	5,2	250
F5	7,07	10,25	9,7	200
F5-S	4,38	6,35	6,05	200

Radial piston pump 1-row

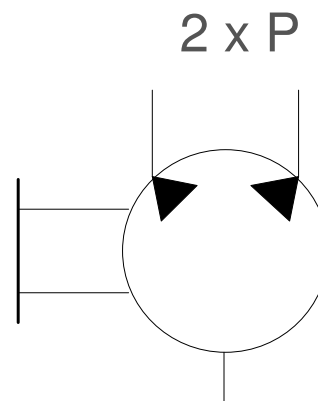
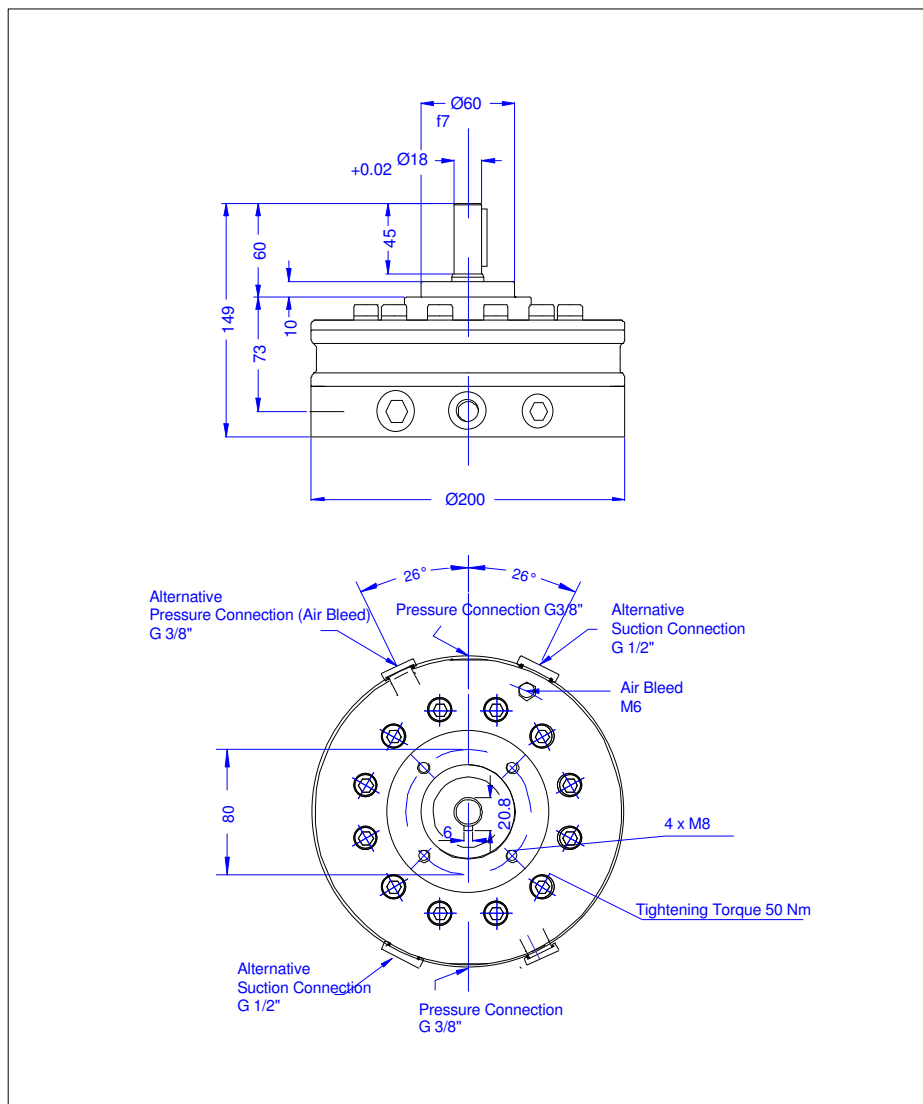
closed type construction, 2 delivery rates, 2x3 elements

dimensions + pressure ranges 2R-ET **3

2-delivery rates, 2 x 3 elements

Dimensions:

x



2R ET **3
pump closed
2 delivery rates

options:
Vg / P => selection chart
delivery rate per 3 elements

option drive-through
DA SAE A mounting flange
DR *R mounting flange

seals material
N NBR standard
V viton on enquiry

weight: 12,5 Kg

volume + number of elements	delivery volume Vg [cm ³ /rev]	nominal delivery rate at n = 1450 rev/min [l/min]	delivery rate at p _{peak} [l/min]	max. operating pressure p _{peak} [bar]
A3	1,21	1,75	1,5	550
A3-S	0,76	1,1	0,93	550
B3	1,88	2,73	2,5	450
B3-S	1,18	1,71	1,56	450
C3	2,71	3,93	3,7	350
C3-S	1,7	2,47	2,31	350
D3	3,19	4,63	4,3	300
D3-S	2	2,9	2,7	300
E3	3,69	5,35	5	250
E3-S	2,29	3,32	3,12	250
F3	4,24	6,15	5,8	200
F3-S	2,63	3,81	3,63	200

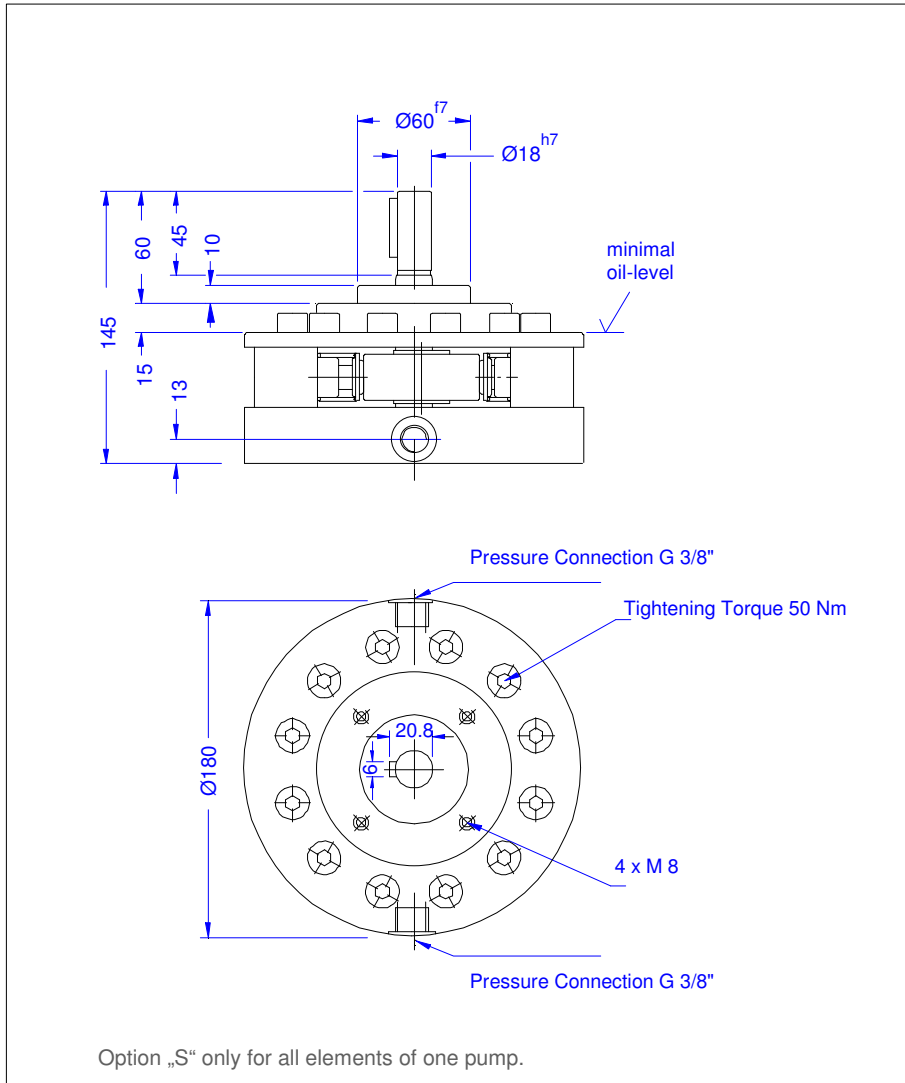
Radial piston pump 1-row

opened type construction, 2 delivery rates, 2x3 elements

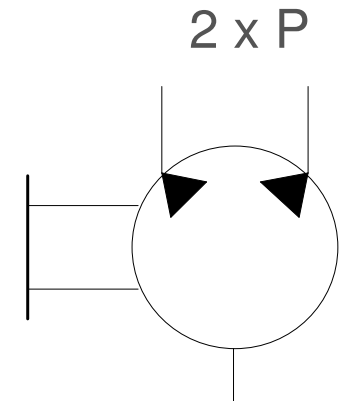
dimensions + pressure ranges 2R-SM **3

2-delivery rates, 2 x 3 elements

Dimensions:



E-mail: hydraulik@van-dinker.de
 Telefon : +49 (0) 234 68738 - 0
 Telefax : +49 (0) 234 68738 - 27



2R SM **3
 pump opened
 2 delivery rates

options:
 Vg / P => selection chart
 delivery rate per 3 elements

option drive-through
 DA SAE A mounting flange
 DR *R mounting flange

seals material
 N NBR standard
 V viton on enquiry

weight: 11,1 Kg

volume + number of elements	delivery volume Vg [cm ³ /rev]	nominal delivery rate at n = 1450 rev/min [l/min]	delivery rate at p _{peak} [l/min]	max. operating pressure p _{peak} [bar]
A3	1,21	1,75	1,5	550
A3-S	0,76	1,1	0,93	550
B3	1,88	2,73	2,5	450
B3-S	1,18	1,71	1,56	450
C3	2,71	3,93	3,7	350
C3-S	1,7	2,47	2,31	350
D3	3,19	4,63	4,3	300
D3-S	2	2,9	2,7	300
E3	3,69	5,35	5	250
E3-S	2,29	3,32	3,12	250
F3	4,24	6,15	5,8	200
F3-S	2,63	3,81	3,63	200

Radial piston pump 1-row

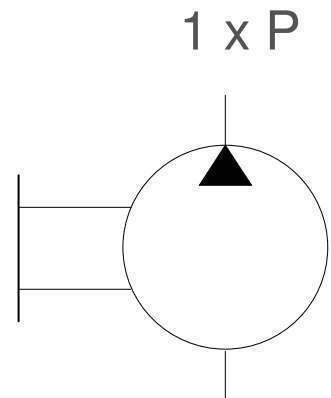
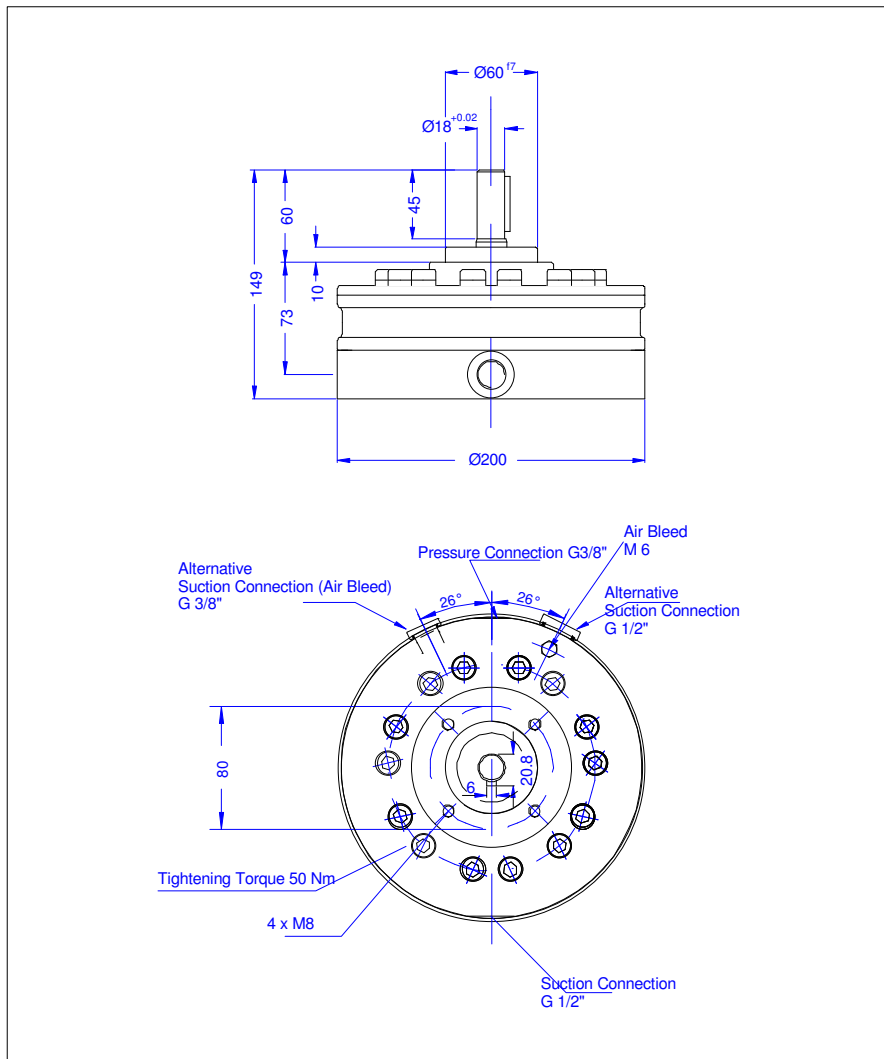
closed type construction, 1 delivery rate, 7 elements

dimensions + pressure ranges 1R-ET *7 1-delivery rate

Dimensions:



E-mail: hydraulik@van-dinther.de
 Telefon : +49 (0) 234 68738 - 0
 Telefax : +49 (0) 234 68738 - 27



1R ET -*7
 pump closed
 1 delivery rate

optionen:

Vg / P => selection chart

option drive-through
 DA SAE A mounting flange
 DR *R mounting flange

seals material
 N NBR standard
 V viton on equiry

weight: 12,9 Kg

volume + number of elements	delivery volume Vg [cm ³ /rev]	nominal delivery rate at n = 1450 rev/min [l/min]	delivery rate at P _{peak} [l/min]	max. operating pressure P _{peak} [bar]
A7	2,81	4,07	3,7	550
A7-S	1,76	2,56	2,22	550
B7	4,4	6,38	5,8	450
B7-S	2,76	4	3,64	450
C7	6,33	9,18	8,6	350
C7-S	3,96	5,74	5,39	350
D7	7,43	10,77	10	300
D7-S	4,65	6,74	6,3	300
E7	8,62	12,5	11,7	250
E7-S	5,34	7,74	7,28	250
F7	9,9	14,36	13,6	200
F7-S	6,14	8,9	8,47	200

Radial piston pump 1-row

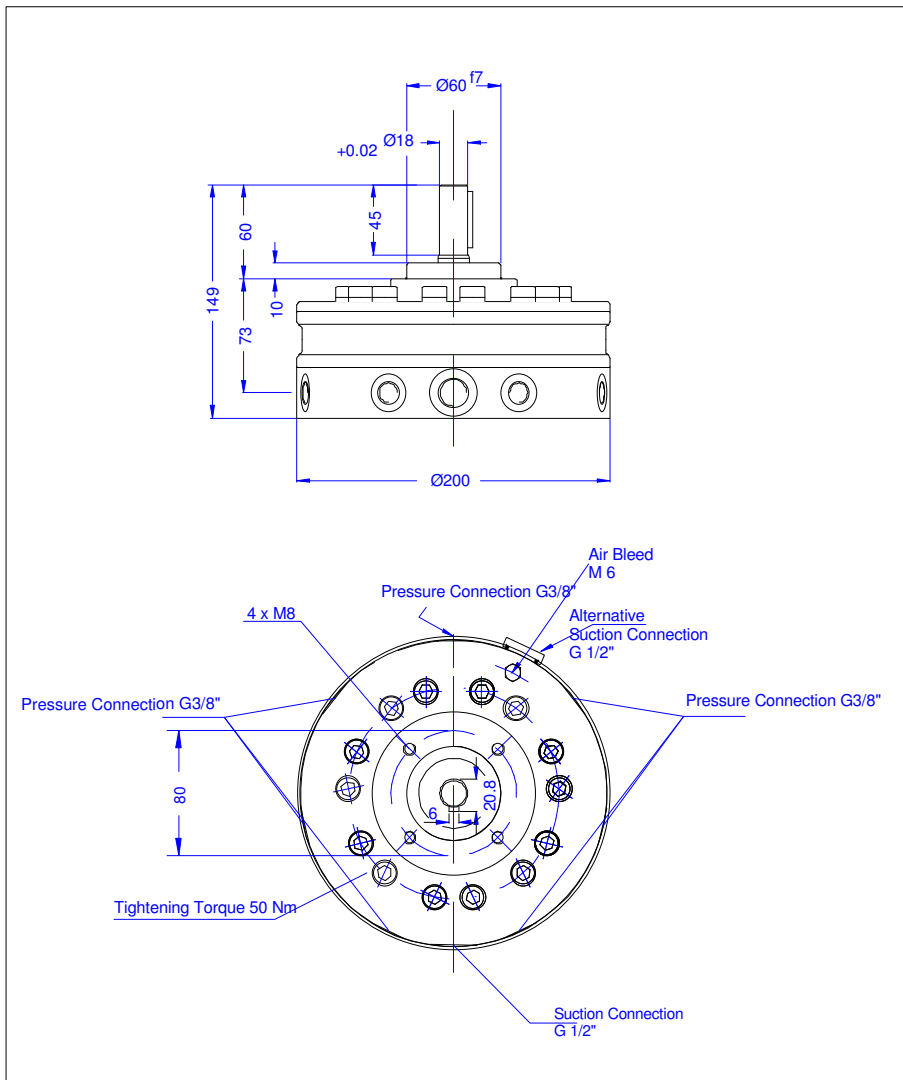
closed type construction, 7 delivery rates, 7 elements

dimensions + pressure ranges 7R-ET *7 7-delivery rates

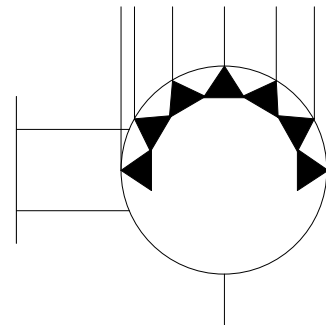
Dimensions:



E-mail: hydraulik@van-dinter.de
 Telefon : +49 (0) 234 68738 - 0
 Telefax : +49 (0) 234 68738 - 27



7 x P



7R ET -*7
 pump closed
 7 delivery rates

options:

Vg / P => selection chart
 delivery rate per element

option drive-through
 DA SAE A mounting flange
 DR *R mounting flange

seals material
 N NBR standard
 V viton on enquiry

weight: 12,9 Kg

volume + number of elements	delivery volume Vg [cm ³ /rev]	nominal delivery rate at n = 1450 rev/min [l/min]	delivery rate at p _{peak} [l/min]	max. operating pressure p _{peak} [bar]
A1	0,4	0,58	0,5	550
A1-S	0,25	0,36	0,31	550
B1	0,63	0,91	0,84	450
B1-S	0,39	0,56	0,52	450
C1	0,91	1,31	1,24	350
C1-S	0,56	0,82	0,77	350
D1	1,07	1,55	1,44	300
D1-S	0,67	0,97	0,9	300
E1	1,23	1,78	1,67	250
E1-S	0,77	1,11	1,04	250
F1	1,41	2,1	1,94	200
F1-S	0,88	1,28	1,21	200

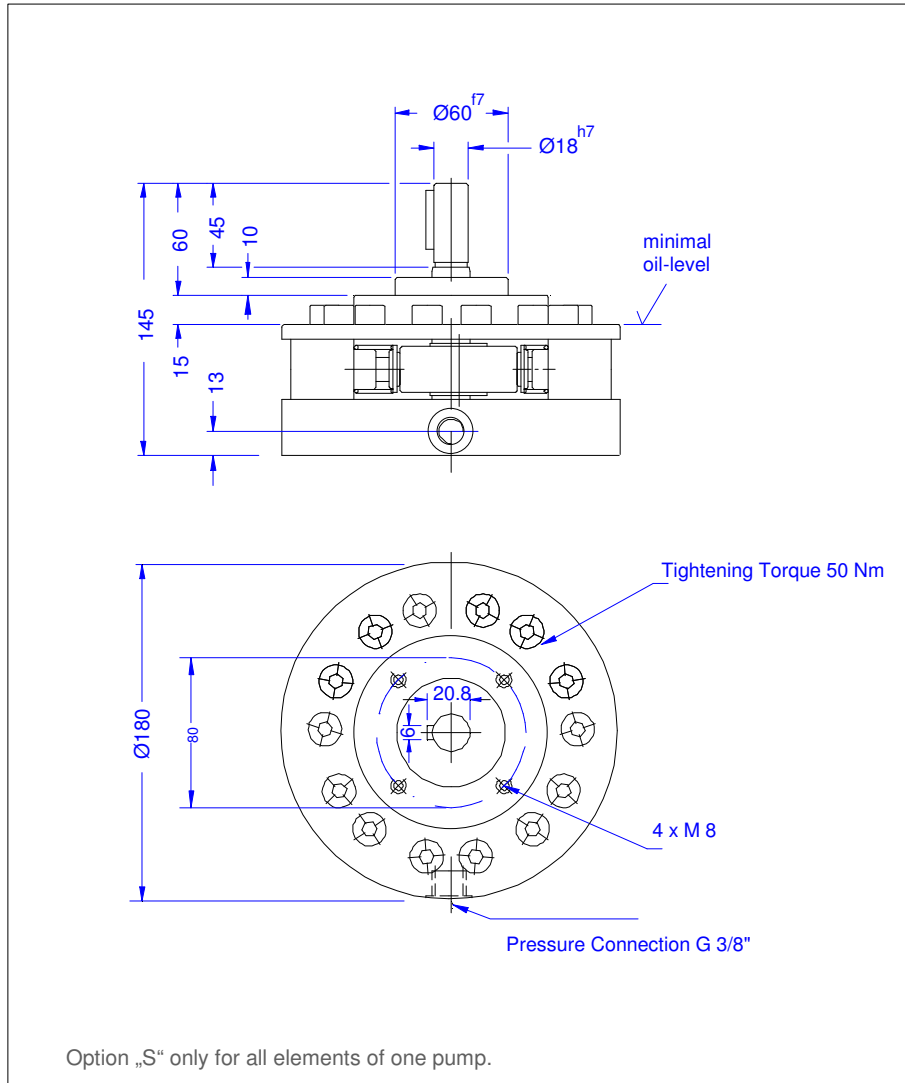
Radial piston pump 1-row

opened type construction, 1 delivery rate, 7 elements

dimensions + pressure ranges 1R-SM *7

1-delivery rate

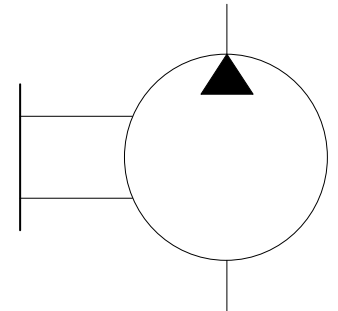
Dimensions:



van Dinter
Antriebstechnik

E-mail: hydraulik@van-dinter.de
Telefon : +49 (0) 234 68738 - 0
Telefax : +49 (0) 234 68738 - 27

1 x P



1R-SM-*7
pump opened

options:
Vg / P => selection chart

option drive-through
DA SAE A mounting flange
DR *R mounting flange

seals material
N NBR standard
V viton on enquiry

weight: 11,7 Kg

volume + number of elements	delivery volume Vg [cm ³ /rev]	nominal delivery rate at n = 1450 rev/min [l/min]	delivery rate at p _{peak} [l/min]	max. operating pressure p _{peak} [bar]
A7	2,81	4,07	3,7	550
A7-S	1,76	2,56	2,22	550
B7	4,4	6,38	5,8	450
B7-S	2,76	4	3,64	450
C7	6,33	9,18	8,6	350
C7-S	3,96	5,74	5,39	350
D7	7,43	10,77	10	300
D7-S	4,65	6,74	6,3	300
E7	8,62	12,5	11,7	250
E7-S	5,34	7,74	7,28	250
F7	9,9	14,36	13,6	200
F7-S	6,14	8,9	8,47	200

Radial piston pump 2-rows

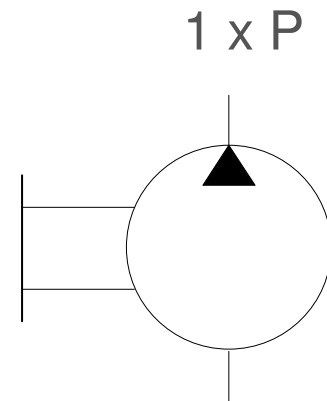
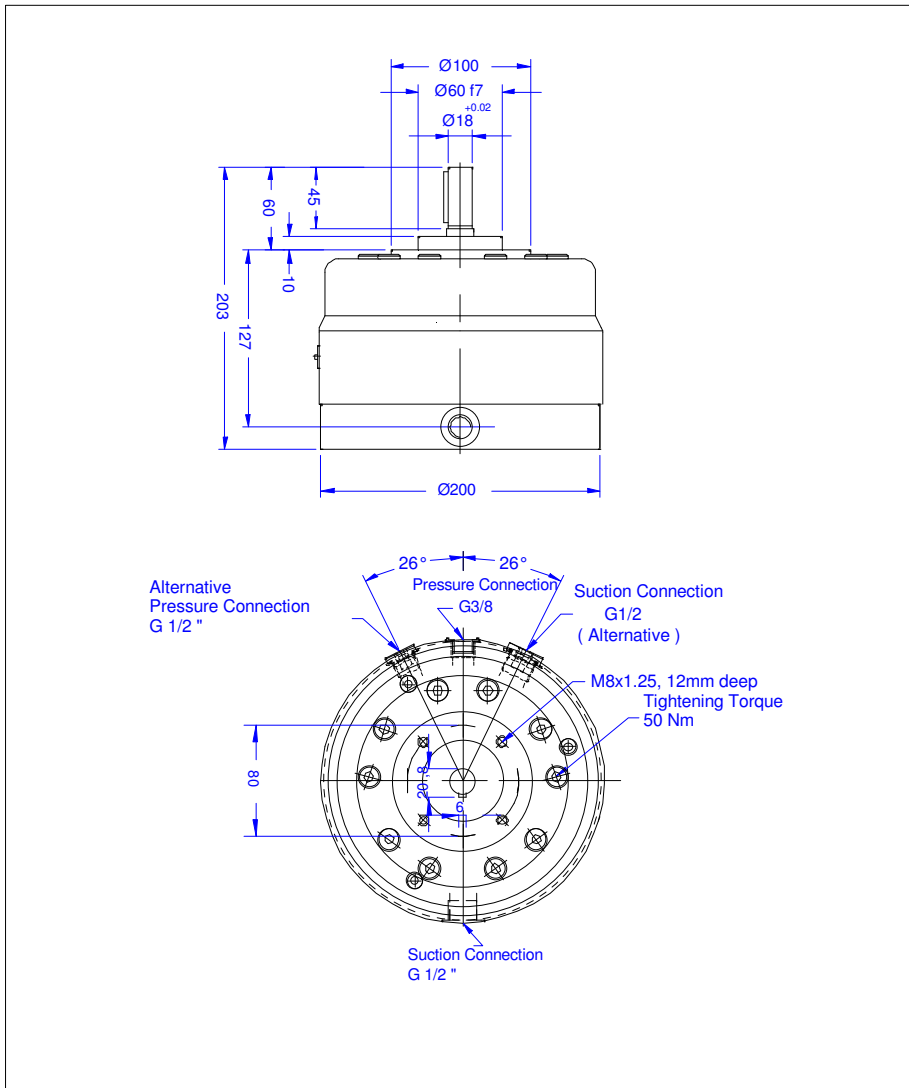
closed type construction, 1 delivery rate, 10 elements

dimensions + pressure ranges 1R-ET *10 1-delivery rate

Dimensions:



E-mail: hydraulik@van-dinter.de
 Telefon : +49 (0) 234 68738 - 0
 Telefax : +49 (0) 234 68738 - 27



1R ET -*10
 pump closed
 1 delivery rate

options:

Vg / P => selection chart

option drive-through
 DA SAE A mounting flange
 DR *R mounting flange

seals material
 N NBR standard
 V viton on equiry

weight: 20,2 Kg

volume + number of elements	delivery volume Vg [cm ³ /rev]	nominal delivery rate at n = 1450 rev/min [l/min]	delivery rate at p _{peak} [l/min]	max. Operating pressure p _{peak} [bar]
A10	4,02	5,8	5,2	550
B10	6,28	9,2	8,4	450
C10	9,04	13,2	12,4	350
D10	10,62	15,4	14,4	300
E10	12,32	17,8	16,8	250
F10	14,14	20,6	19,4	200

Radial piston pump 2-rows

opened type construction, 1 delivery rate, 10 elements

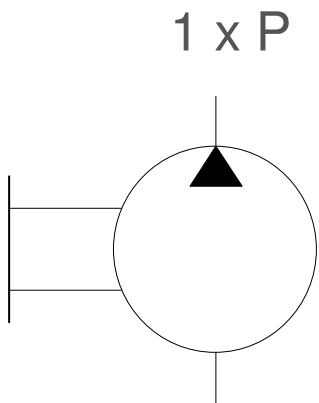
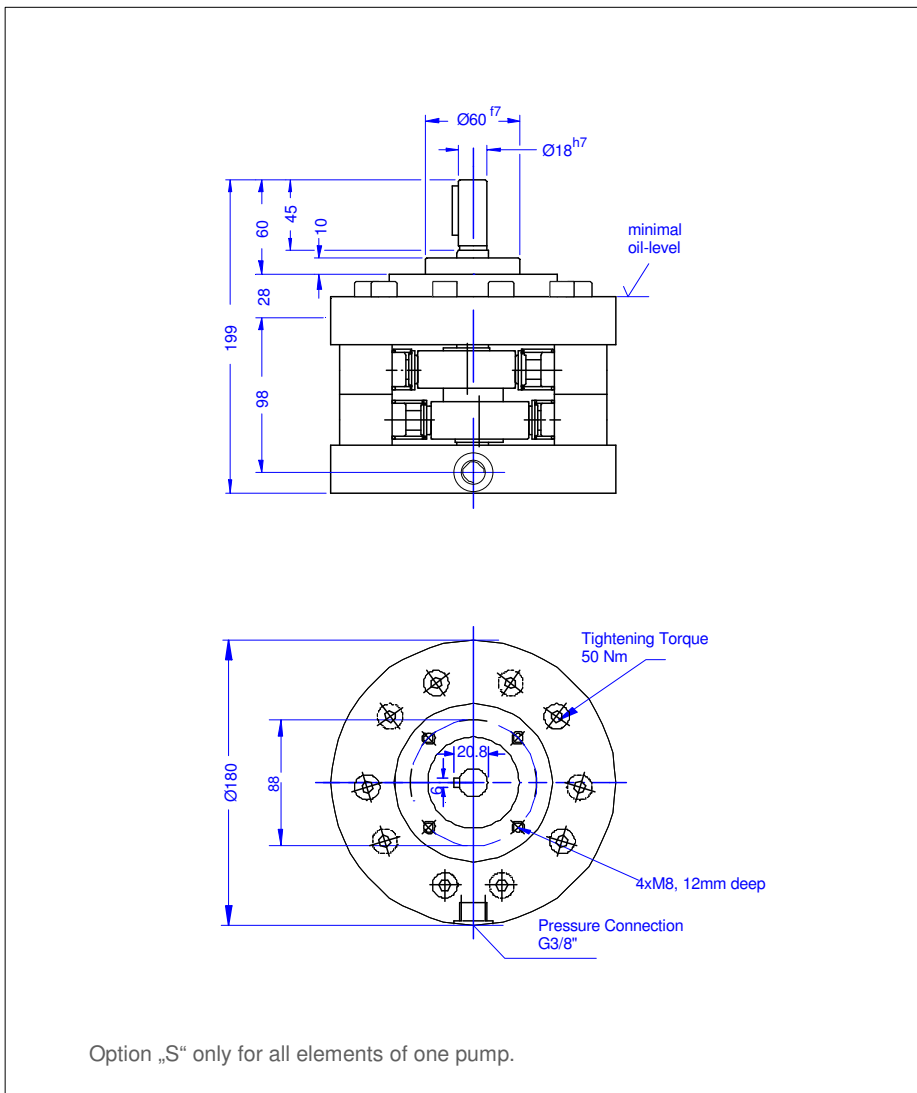
dimensions + pressure ranges 1R-SM *10

1-delivery rate

Dimensions:



E-mail: hydraulik@van-dinther.de
 Telefon : +49 (0) 234 68738 - 0
 Telefax : +49 (0) 234 68738 - 27



1R-SM-*7
 pump opened

options:
 Vg / P => selection chart

option drive-through
 DA SAE A mounting flange
 DR *R mounting flange

seals material
 N NBR standard
 V viton on equiry

weight: 19,8 Kg

Option „S“ only for all elements of one pump.

volume + number of elements	delivery volume Vg [cm ³ /rev]	nominal delivery rate at n = 1450 rev/min [l/min]	delivery rate at p _{peak} [l/min]	max. operating pressure p _{peak} [bar]
A10	4,02	5,8	5,2	550
B10	6,28	9,2	8,4	450
C10	9,04	13,2	12,4	350
D10	10,62	15,4	14,4	300
E10	12,32	17,8	16,8	250
F10	14,14	20,6	19,4	200

Radial piston pump 2-rows

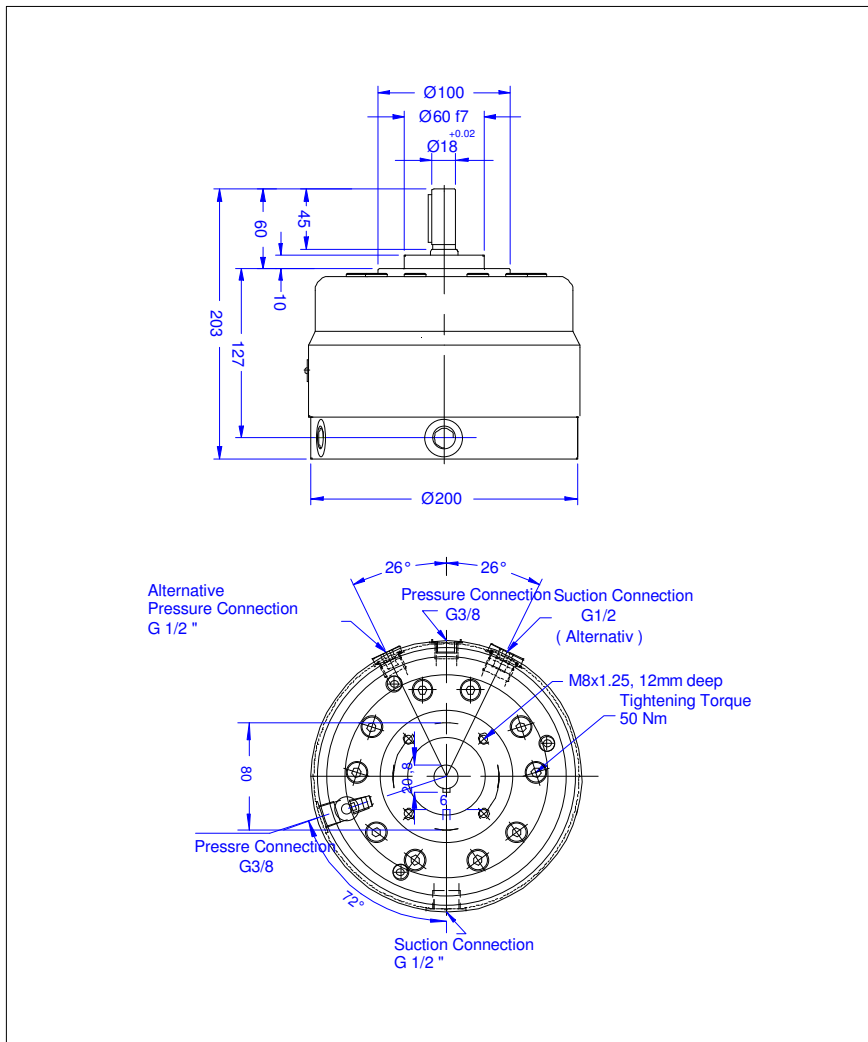
closed type construction, 2 delivery rates, 10 elements

dimensions + pressure ranges 2R-ET **5 2-delivery rates

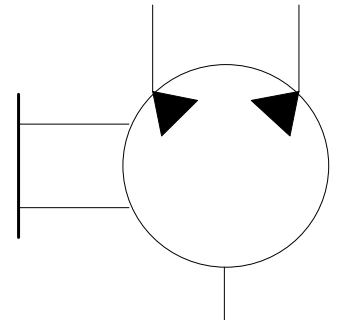
Dimensions:



E-mail: hydraulik@van-dinter.de
 Telefon : +49 (0) 234 68738 - 0
 Telefax : +49 (0) 234 68738 - 27



2 x P



2R ET **5
 pump closed
 2 delivery rates

options:
 Vg / P => selection chart
 delivery rate per 5 elements

option drive-through
 DA SAE A mounting flange
 DR *R mounting flange

seals material
 N NBR standard
 V viton on enquiry

weight: 20,2 Kg

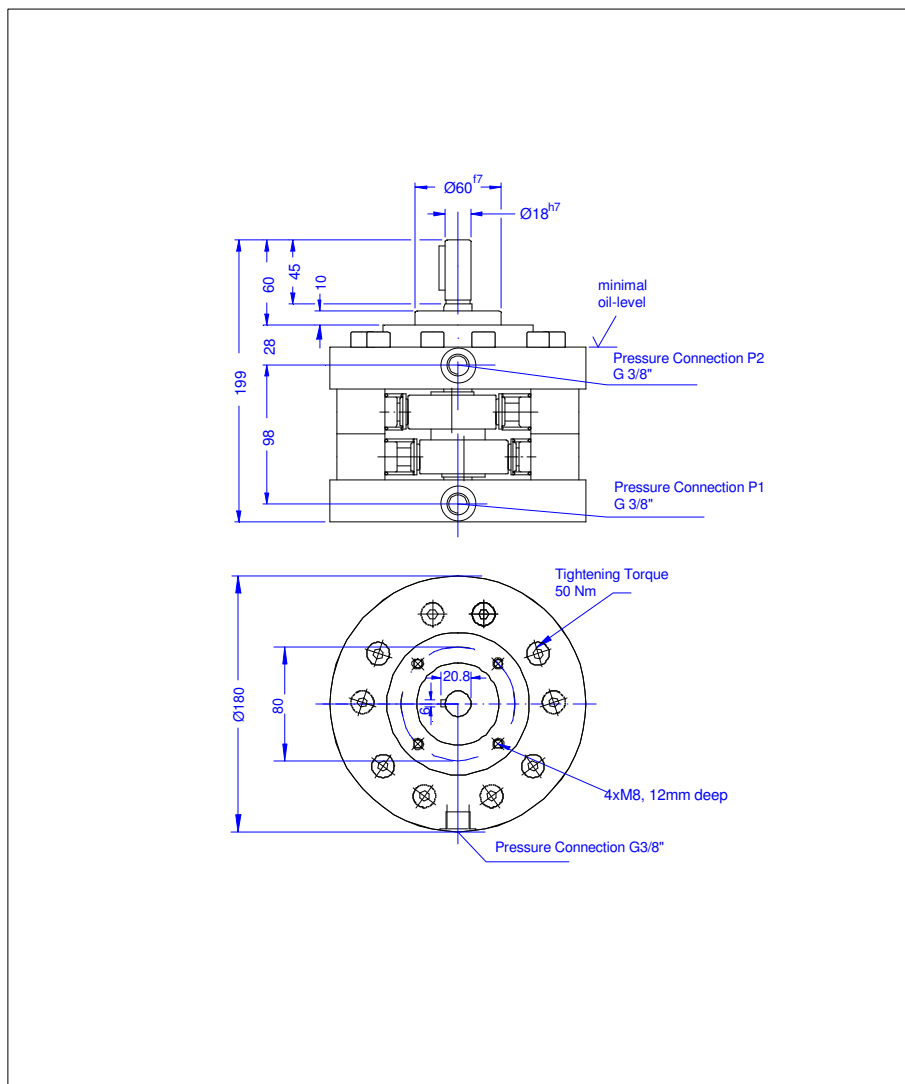
volume + number of elements	delivery volume Vg [cm ³ /U]	nominal delivery rate at n = 1450 rev/min [l/min]	delivery rate at p _{peak} [l/min]	max. operating pressure p _{peak} [bar]
A5	2,01	2,91	2,6	550
A5-S	1,26	1,83	1,55	550
B5	3,14	4,55	4,2	450
B5-S	1,97	2,86	2,6	450
C5	4,52	6,55	6,2	350
C5-S	2,83	4,1	3,85	350
D5	5,31	7,7	7,2	300
D5-S	3,33	4,83	4,5	300
E5	6,16	8,93	8,4	250
E5-S	3,82	5,54	5,2	250
F5	7,07	10,25	9,7	200
F5-S	4,38	6,35	6,05	200

Radial piston pump 2-rows

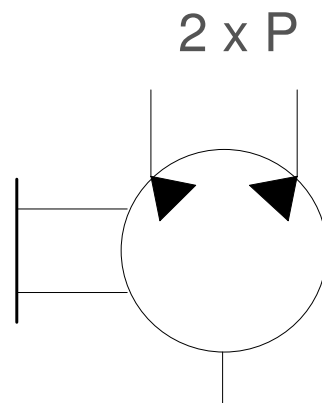
opened type construction, 2 delivery rates, 10 elements

dimensions + pressure ranges 2R-SM **5
2-delivery rates

Dimensions:



E-mail: hydraulik@van-dinter.de
 Telefon : +49 (0) 234 68738 - 0
 Telefax : +49 (0) 234 68738 - 27



2R SM5**
pump opened
2 delivery rates

options:
Vg / P => selection chart
delivery rate per 5 elements

option drive-through
DA SAE A mounting flange
DR *R mounting flange

seals material
N NBR standard
V viton on equiry

weight: 19,3 Kg

volume + number of elements	delivery volume Vg [cm ³ /rev]	nominal delivery rate at n = 1450 rev/min [l/min]	delivery rate at p _{peak} [l/min]	max. Operating pressure p _{peak} [bar]
A5	2,01	2,91	2,6	550
A5-S	1,26	1,83	1,55	550
B5	3,14	4,55	4,2	450
B5-S	1,97	2,86	2,6	450
C5	4,52	6,55	6,2	350
C5-S	2,83	4,1	3,85	350
D5	5,31	7,7	7,2	300
D5-S	3,33	4,83	4,5	300
E5	6,16	8,93	8,4	250
E5-S	3,82	5,54	5,2	250
F5	7,07	10,25	9,7	200
F5-S	4,38	6,35	6,05	200

Radial piston pump 2-rows

closed type construction, 1 delivery rate, 14 elements

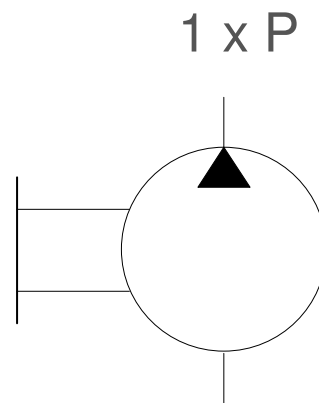
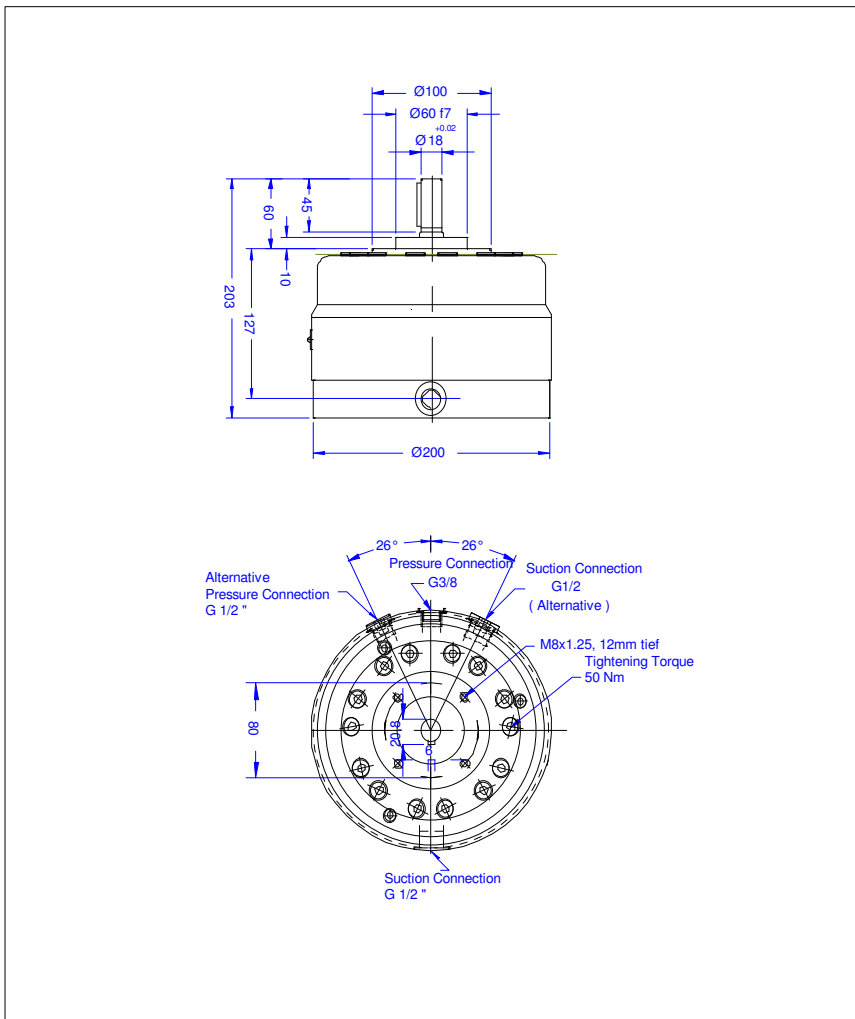
dimensions + pressure ranges 1R-ET-*14

1-delivery rate

Dimensions:



E-mail: hydraulik@van-dinter.de
 Telefon : +49 (0) 234 68738 - 0
 Telefax : +49 (0) 234 68738 - 27



1R ET -*14
 pump closed
 1 delivery rate

options:

Vg / P => selection chart

option drive-through
 DA SAE A mounting flange
 DR *R mounting flange

seals material
 N NBR standard
 V viton on enquiry

weight: 21,3 Kg

volume + number of elements	delivery volume Vg [cm ³ /rev]	nominal delivery rate at n = 1450 rev/min [l/min]	delivery rate at p _{peak} [l/min]	max. operating pressure p _{peak} [bar]
A14	5,62	8,2	7,4	550
B14	8,8	12,8	11,6	450
C14	12,66	18,4	17,2	350
D14	14,86	21,6	10	300
E14	17,24	25	23,4	250
F14	19,8	28,7	27,2	200

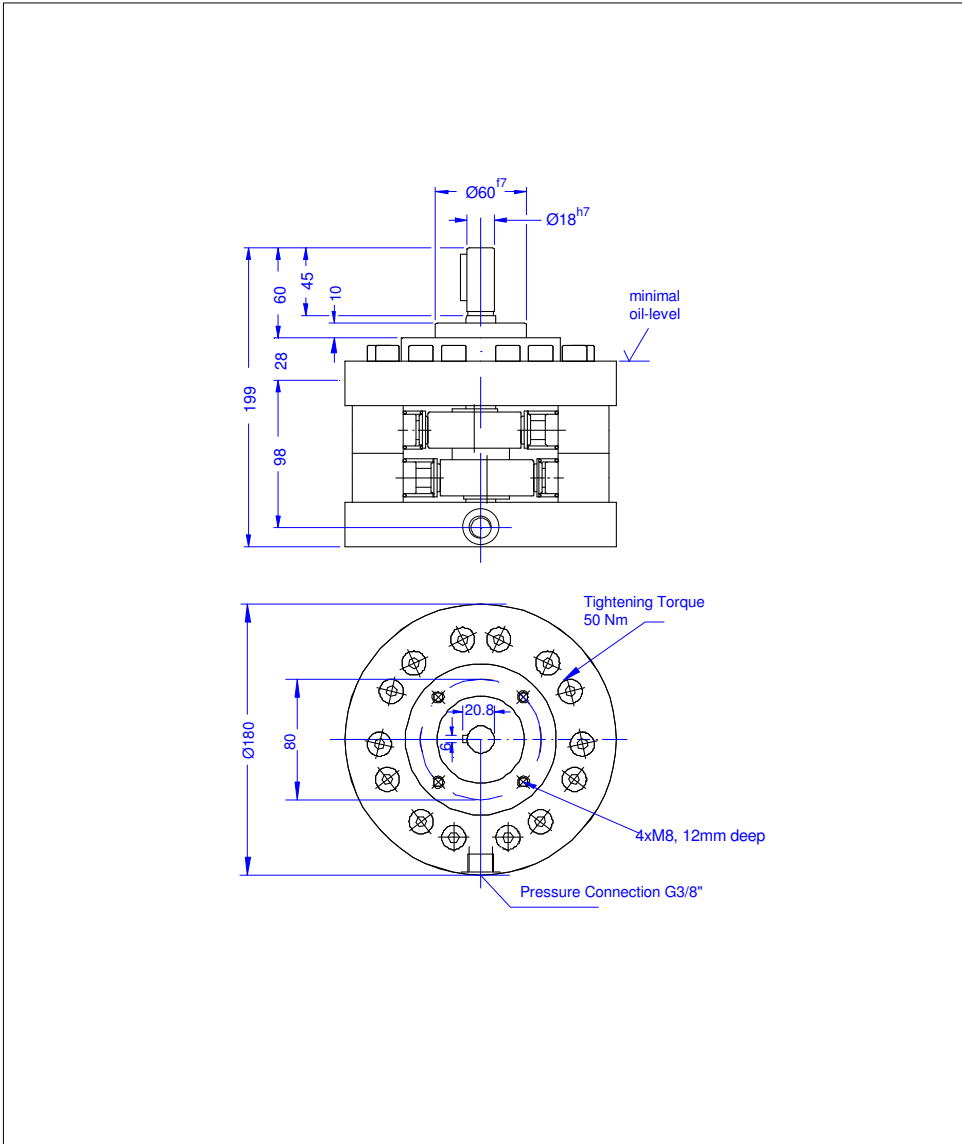
Radial piston pump 2-rows

opened type construction, 1 delivery rate, 14 elements

dimensions + pressure ranges 1R-SM *14

1-delivery rate

Dimensions:



van Dinter

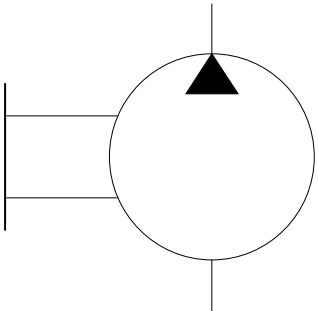
Antriebstechnik

E-mail: hydraulik@van-dinter.de

Telefon : +49 (0) 234 68738 - 0

Telefax : +49 (0) 234 68738 - 27

1 x P



1R ET -*14
pump opened
1 delivery rate

optionen:

Vg / P => selection chart

option Drive-through
DA SAE A mounting flange
DR *R mounting flange

seals material
N NBR standard
V viton on equiry

weight: 20,3 Kg

volume + number of elements	delivery volume Vg [cm ³ /rev]	nominal delivery rate at n = 1450 rev/min [l/min]	delivery rate at p _{peak} [l/min]	max. operating pressure p _{peak} [bar]
A14	5,62	8,2	7,4	550
B14	8,8	12,8	11,6	450
C14	12,66	18,4	17,2	350
D14	14,86	21,6	10	300
E14	17,24	25	23,4	250
F14	19,8	28,7	27,2	200

Radial piston pump 2-rows

closed type construction, 2 delivery rates, 10 elements

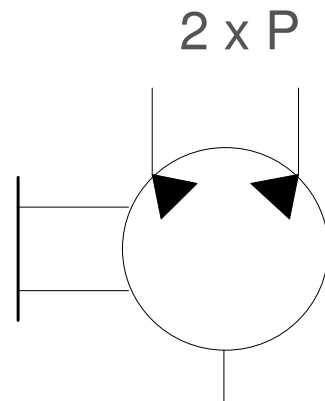
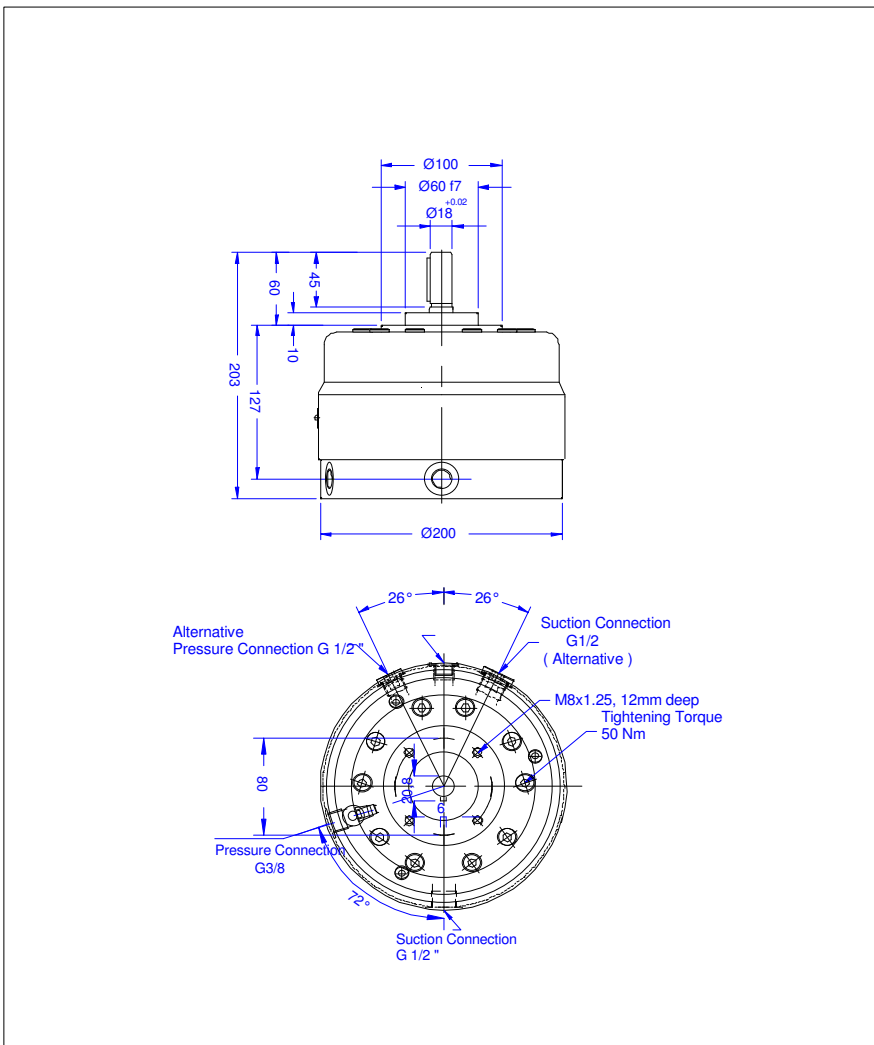
dimensions + pressure ranges 2R-ET **7

2-delivery rates

Dimensions:



E-mail: hydraulik@van-dinter.de
 Telefon :+49 (0) 234 68738 - 0
 Telefax : +49 (0) 234 68738 - 27



2R ET **7
 pump closed
 2 delivery rates

options:
 Vg / P => selection chart
 delivery rate per 7 elements

option drive-through
 DA SAE A mounting flange
 DR *R mounting flange

seals material
 N NBR standard
 V viton on equiry

weight: 22,2 Kg

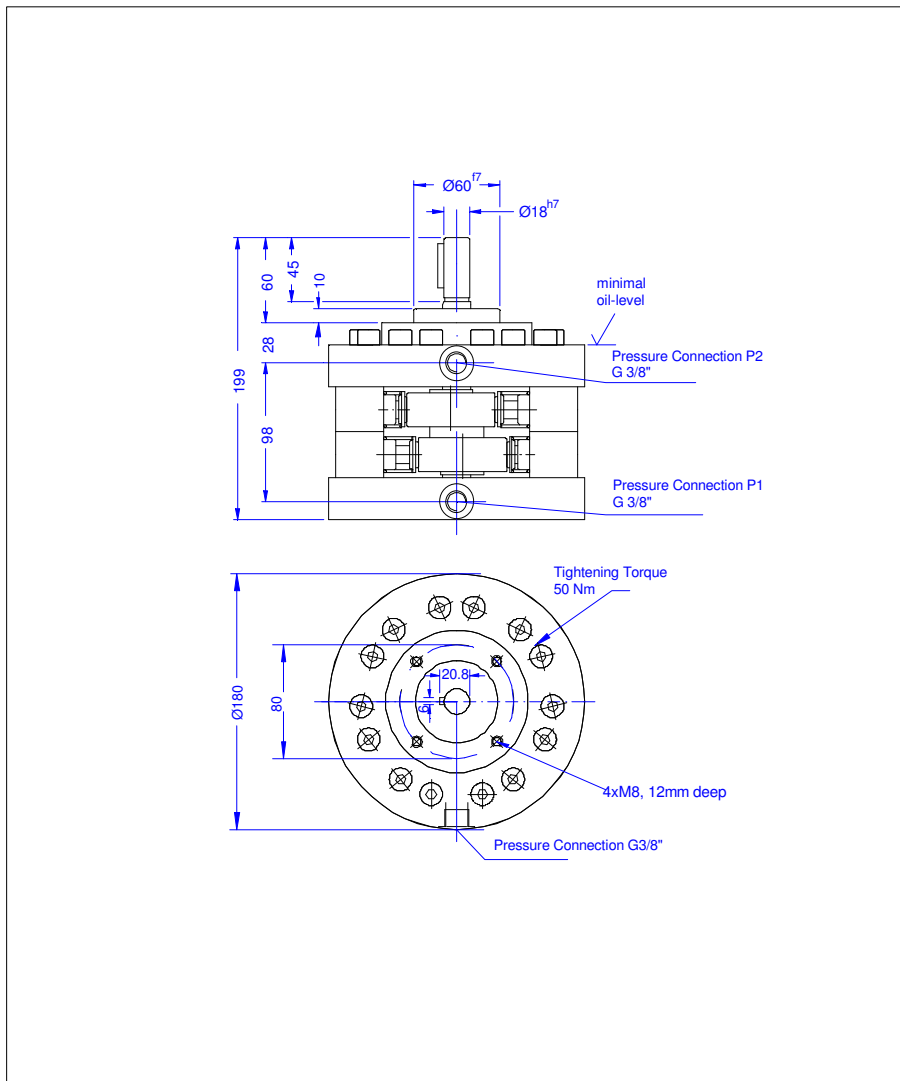
volume + number of elements	delivery volume Vg [cm³/U]	nominal delivery rate at n = 1450 rev/min [l/min]	delivery rate at p _{peak} [l/min]	max. operating pressure p _{peak} [bar]
A7	2,81	4,07	3,7	550
A7-S	1,76	2,56	2,22	550
B7	4,4	6,38	5,8	450
B7-S	2,76	4	3,64	450
C7	6,33	9,18	8,6	350
C7-S	3,96	5,74	5,39	350
D7	7,43	10,77	10	300
D7-S	4,65	6,74	6,3	300
E7	8,62	12,5	11,7	250
E7-S	5,34	7,74	7,28	250
F7	9,9	14,36	13,6	200
F7-S	6,14	8,9	8,47	200

Radial piston pump 2-rows

opened type construction, 2 delivery rates, 14 elements

dimensions + pressure ranges 2R-SM **7 2-delivery rates

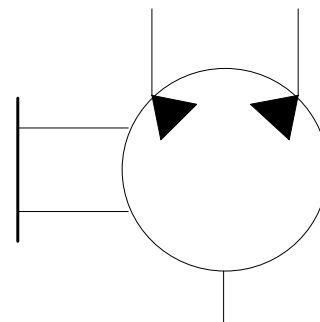
Dimensions:



van Dinter
Antriebstechnik

E-mail: hydraulik@van-dinter.de
Telefon : +49 (0) 234 68738 - 0
Telefax : +49 (0) 234 68738 - 27

2 x P



2R SM7**
pump opened
2 delivery rates

options:
Vg / P => selection chart
delivery rate per 7 elements

option drive-through
DA SAE A mounting flange
DR *R mounting flange

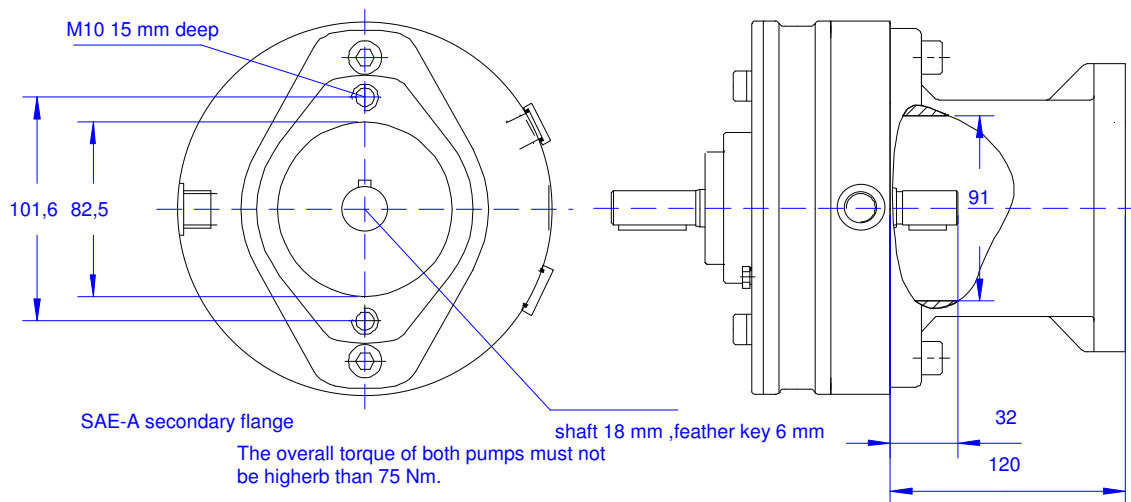
seals material
N NBR standard
V viton on equiry

weight: 19,3 Kg

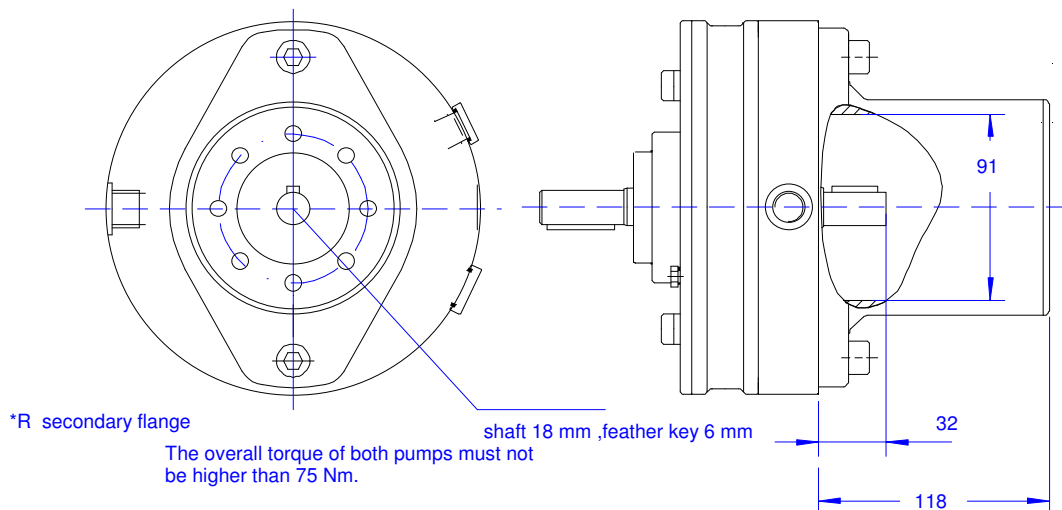
volume + number of elements	delivery volume Vg [cm ³ /U]	nominal delivery rate at n = 1450 rev/min [l/min]	delivery rate at p _{peak} [l/min]	max. operating pressure p _{peak} [bar]
A7	2,81	4,07	3,7	550
A7-S	1,76	2,56	2,22	550
B7	4,4	6,38	5,8	450
B7-S	2,76	4	3,64	450
C7	6,33	9,18	8,6	350
C7-S	3,96	5,74	5,39	350
D7	7,43	10,77	10	300
D7-S	4,65	6,74	6,3	300
E7	8,62	12,5	11,7	250
E7-S	5,34	7,74	7,28	250
F7	9,9	14,36	13,6	200
F7-S	6,14	8,9	8,47	200

Intermediate case

SAE/DA intermediate case



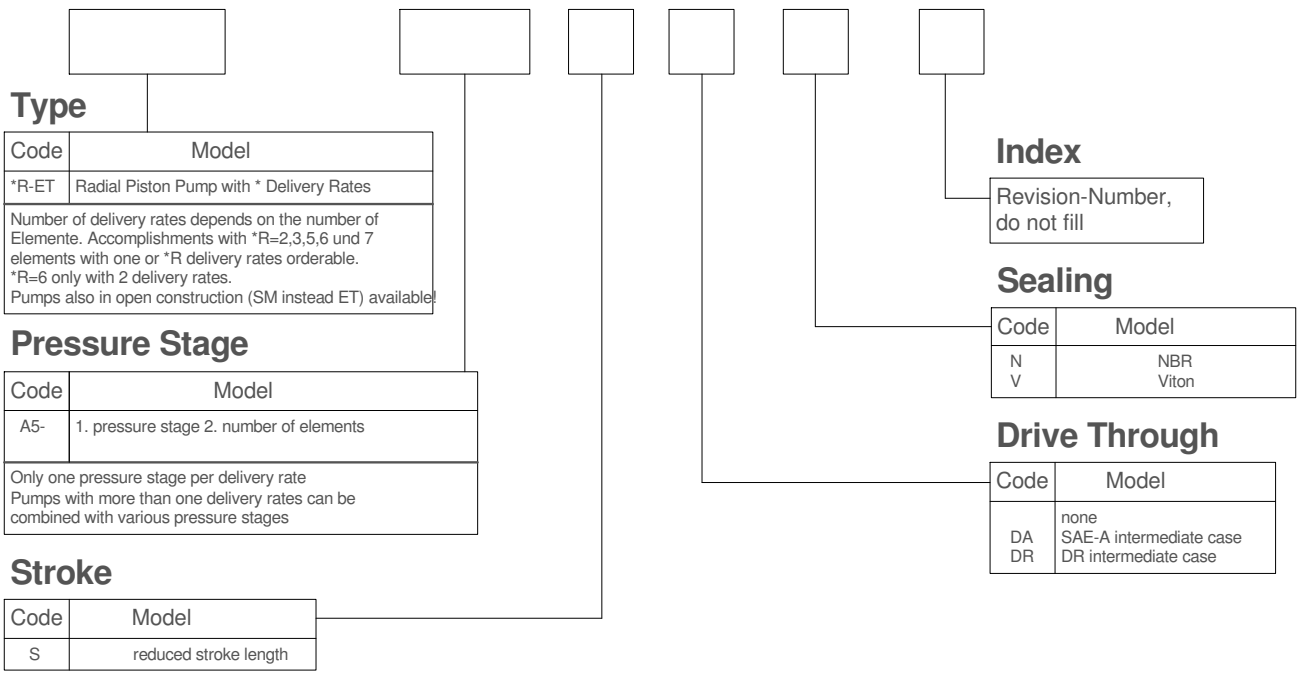
DR intermediate case



Ordering Code



E-mail: hydraulik@van-dinker.de
 Telefon : +49 (0) 234 68738 - 0
 Telefax : +49 (0) 234 68738 - 27



Example:

2R-ET A3D3 DA V 50

Order:

1-row radial piston pump with closed cabinet for application under and above oil-level, 2 delivery rates, 6 elements, 1. 1,21 ccm/U; 550bar, 2. 3,19 ccm/U; 300bar, SAE-A drive through, Viton-Sealing

7R-SM A3F4 N

Order:

1-row radial piston pump with open cabinet for application under oil-level, 7 delivery rates, 7 elements, 1. - 3.: 0,4 ccm/U; 550bar, 4.- 7.: 1,42 ccm/U; 200bar, NBR-Sealing